

# Insertion Tool GS-822 SW 8.0

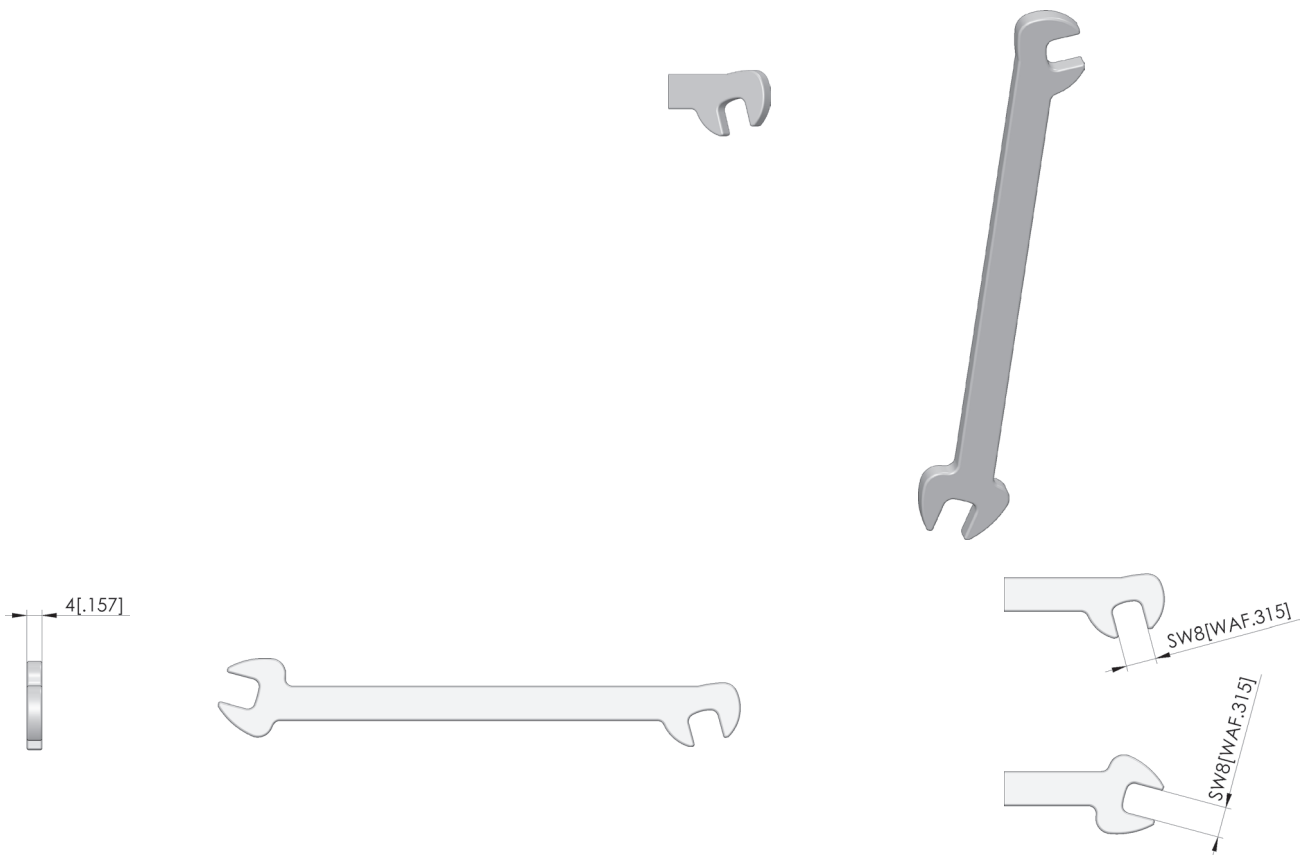
Item GS-822SW8.0



GO TO PRODUCT

**ingun**<sup>®</sup>

Partner for Future Technology



## General data

Product group:	jaw spanner (GS)
Series:	GS
Tool for receptacle (KS):	No
Tool for test probe (GKS):	Yes
Tool version:	Rigid
RoHS-compliant:	Yes

## INGUN Prüfmittelbau GmbH

Max-Stromeyer-Straße 162  
78467, Constance, Germany  
Phone +49 7531 8105-0  
Customer hotline +49 7531 8105-888  
Fax +49 7531 8105-65  
info@ingun.com



Prices and delivery times on request.  
Technical changes reserved. 03/26\_GB

Learn more about  
Tool



ingun.com