

NanoVTEP Gen 2 barrel & clip

OTC-KS-NV-ST-G2

Item 114373



GO TO PRODUCT

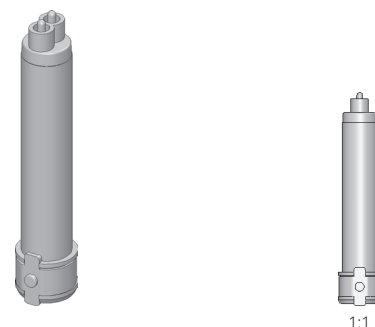
ingun®

Partner for Future Technology

- Component for the Opens test, for capacitive testing of semiconductor chips for open circuits, short circuits and soldering faults
- Suitable for all Keysight 307x test systems with software version 9.2 or higher
- Improved repeating accuracy, test coverage and error detection in comparison to VTEP technology

Application

The nanoVTEP test probes are used for capacitive testing of integrated circuits in order to check the wire-bonded connections inside an integrated circuit for breakage, short circuits, and solder defects. The nanoVTEP test probes are Keysight's latest vectorless opens test solution and replace the existing VTEP test probes. In addition to significantly improved repeating accuracy, test coverage, and defect detection, the new nanoVTEP probes offer up to 40% amplification of weak signal, as the amplifier is placed close to the sensor plate. The new nanoVTEP probes only work in conjunction with the nanoVTEP MUX boards. Both nanoVTEP and VTEP probes can be combined in one test fixture.



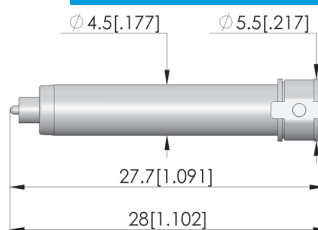
1:1

Note:

For professional customisation of the KEYSIGHT nanoVTEP probes, refer to the customising instructions INFO 4250.

Note:

nanoVTEP probes can be safely used on all Keysight 307x test systems that have software version 9.2 or newer. If the software version you are using is older than 9.2, please contact the test system manufacturer Keysight directly



General data

Product group:
Series:
Type:
Version:
Accessory type:
Scope of delivery:
Min. temperature:
Max. temperature:
RoHS-compliant:

Opens tests
OTC
Keysight Vectorless Test
nanoVTEP barrel gen 2
Customising accessories
Incl. spring clip
10 °C [50 °F]
60 °C [140 °F]
Yes

Compatible with

Vacuum test fixtures (VA):
Interchangeable kits (WS):

VA 2070S/L

Technical data

Length:
Diameter:

28 mm [1.1 in]
5.5 mm [.216 in]



Accessories

Part no.	Designation	Version
108707	OTC-KS-NV-EP	nanoVTEP amplifier
114374	OTC-KS-NV-KS-G2	nanoVTEP receptacle

INGUN Prüfmittelbau GmbH

Max-Stromeyer-Straße 162
78467, Constance, Germany
Phone +49 7531 8105-0
Customer hotline +49 7531 8105-888
Fax +49 7531 8105-65
info@ingun.com

