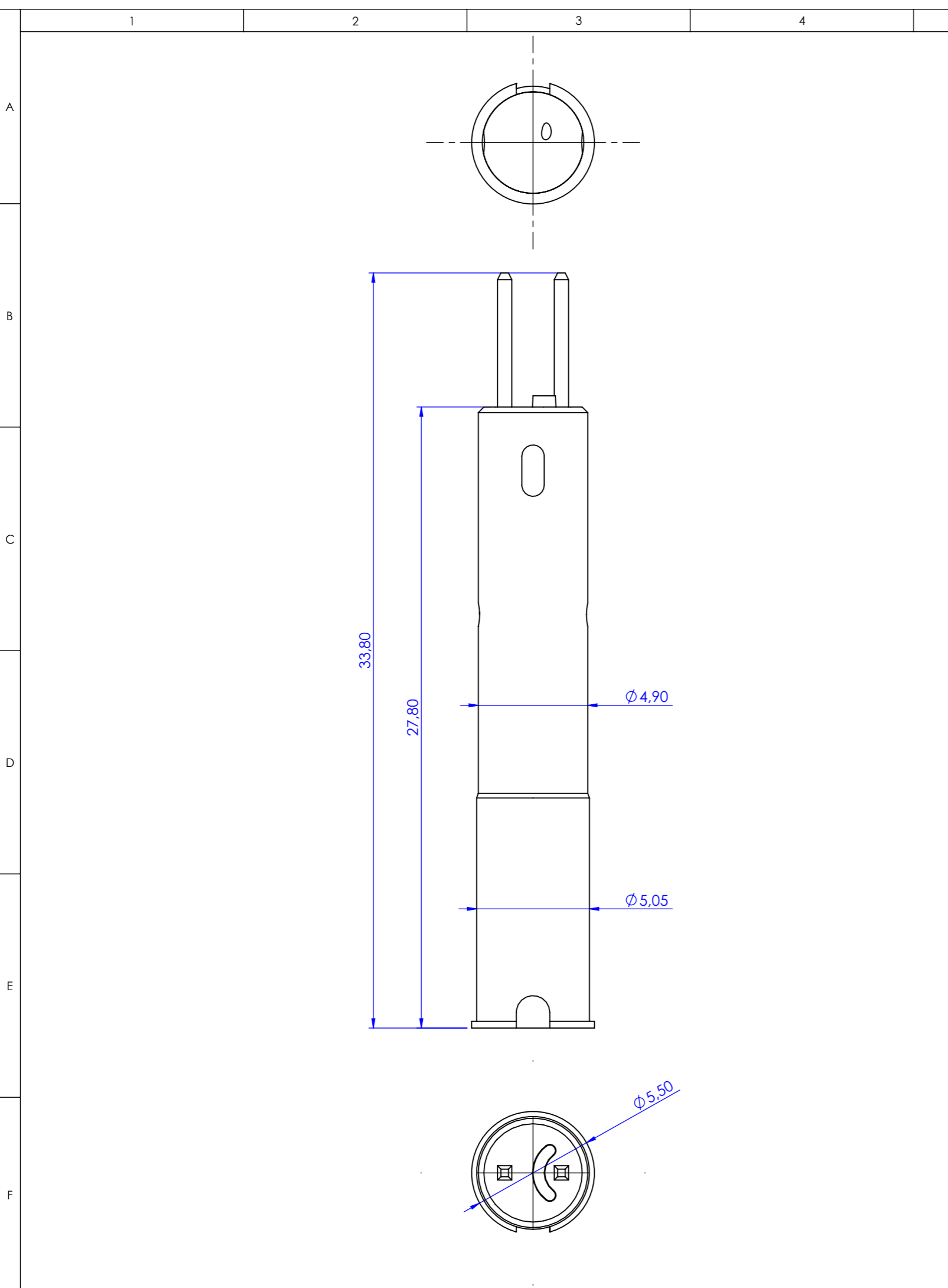


This technical documentation is intellectual property of INGUN Prüfmittelbau GmbH. Unless otherwise contractually agreed in writing, it is not permitted to duplicate or disseminate it, nor may it be made accessible to third parties in any other way, or otherwise be misused without our explicit prior consent.



RoHS-3

Maßstab/Scale: 5:1	Benennung/Designation:	Index:	Blatt/Sheet
gespeichert/saved: 14.11.2022 14:33:30	OTC-KS-NV-KS-G2 NanoVTEP Gen 2 receptacle	0	1 von 1
Montageanleitung/instruction sheet	OTC-KS-NV-KS-G2 NanoVTEP Gen 2 receptacle		
	Artikel-Nr./PartNo.: 114374	DIN A3	