

High-Frequency Probe HFS-821 305 080 A 9905 MX62

Item HFS-821-0005



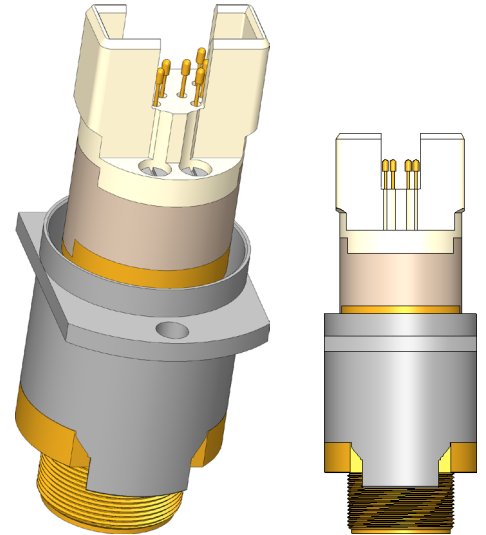
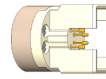
GO TO PRODUCT

ingun[®]

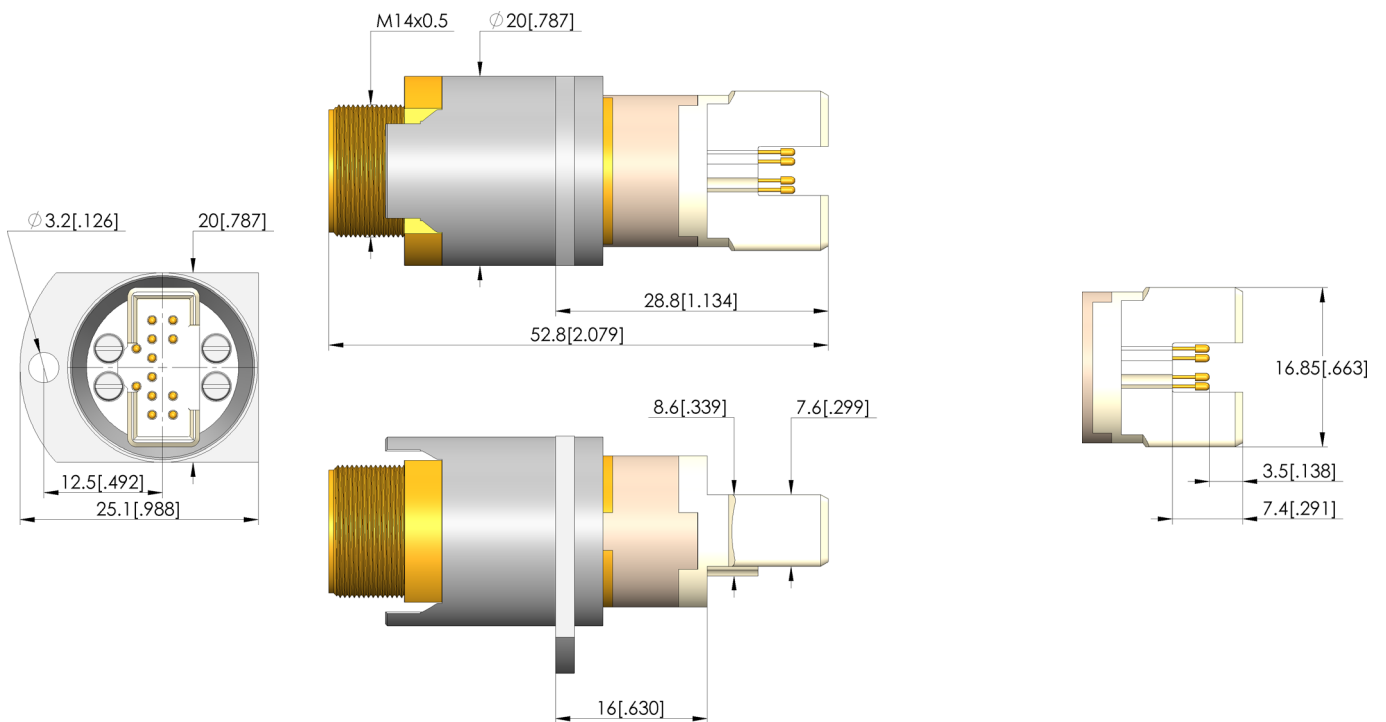
Partner for Future Technology

INGUN
PATENT

- For contacting differential connectors from the MX and USCAR series in the automotive sector
- Connection via SE-821 cable interface
- Floating mechanism is integrated
- Installation via one-sided flange mounting



1:1



RADIO-FREQUENCY TEST PROBES

High-Frequency Probe

HFS-821 305 080 A 9905 MX62

Item HFS-821-0005



GO TO PRODUCT

ingun[®]

Partner for Future Technology

General data

Product group:	HFS radio-frequency test probes
Series:	HFS-821
Sub-series:	HFS-821
Grid:	20.5 mm [807 mil]
DUT / contact:	MX62
Installation type:	Flange
DUT interface gender :	F signal conductor female / socket
Floating mount:	Yes
Non-rotating:	Yes
Continuous plunger:	Yes
Interface of compatible assembly:	SE-821 MX62 plug, 10-pole, screw-in, for HFS-821/MX62
Compatible assembly interface gender :	M signal conductor male / pin
Recommended torque at interface:	10 cNm [.885 lbf-in]
Min. temperature:	-40 °C [-40 °F]
Max. temperature:	80 °C [176 °F]
RoHS-compliant:	Yes

Outer conductor data

Outer conductor tip style:	05 bullet-nosed (full radius)
Outer conductor tip style diameter:	0.8 mm [.031 in]
Spring force of entire outer conductor at working stroke:	10 N [35.9 ozf]
Outer conductor working stroke:	3.5 mm [.137 in]
Outer conductor maximum stroke:	5 mm [.196 in]
Exchangeable outer conductor:	No
Outer conductor max. current load capacity:	3 A

Inner conductor data

Inner conductor tip style:	02 flat
Inner conductor tip style diameter:	0.8 mm [.031 in]
Inner conductor tip style material:	3 CuBe
Inner conductor tip style surface:	A gold
Number of inner conductors:	10
Exchangeable inner conductor:	GKS-080-0058
Inner conductor working stroke:	0 mm [0 in]
Inner conductor maximum stroke:	0 mm [0 in]
Inner conductor max. current load capacity:	3 A

Electrical data

Impedance:	100 Ohm
------------	---------

Mechanical data

Total spring force at working stroke:	10 N [35.9 ozf]
Total length:	52.8 mm [2.07 in]
Barrel diameter:	20 mm [.787 in]
Installation height without receptacle:	28.8 mm [1.13 in]

INGUN Prüfmittelbau GmbH

Max-Stromeyer-Straße 162
78467, Constance, Germany
Phone +49 7531 8105-0
Customer hotline +49 7531 8105-888
Fax +49 7531 8105-65
info@ingun.com



Prices and delivery times on request.
Technical changes reserved. 01/26_GB

Learn more about
Radio-frequency test probes

