

Insertion and Extraction Tool

SW-ZW-GKS-112

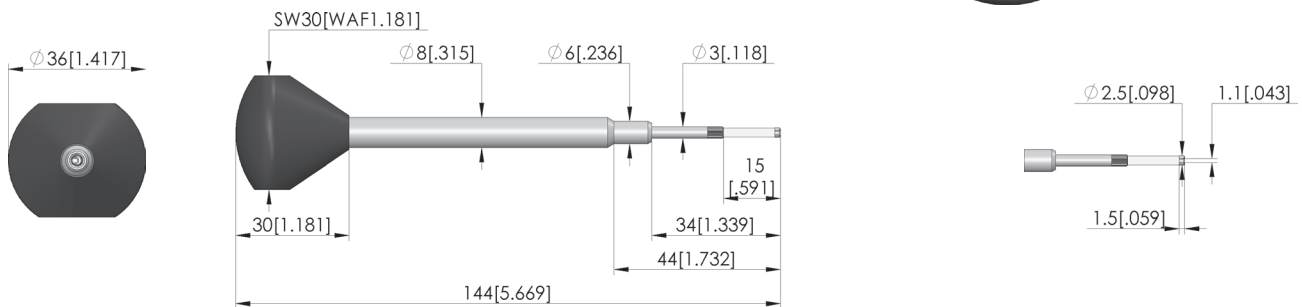
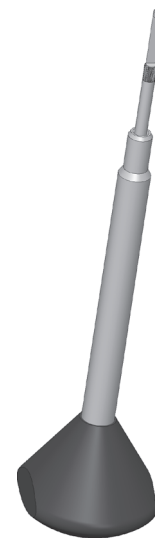
Item SW-ZW-GKS-112



GO TO PRODUCT

ingun®

Partner for Future Technology



General data

Product group:	Insertion and extraction tools (SW-ZW)
Compatible test probe(s) / receptacle(s):	GKS-412
Series:	SW-GKS
Tool for receptacle (KS):	No
Tool for test probe (GKS):	Yes
Test probe installation type:	Plug-in
Min. tip diameter:	0 mm [0 in]
Max. tip diameter:	1.8 mm [.07 in]
Tool version:	Rigid
RoHS-compliant:	Yes

INGUN Prüfmittelbau GmbH

Max-Stromeyer-Straße 162
78467, Constance, Germany
Phone +49 7531 8105-0
Customer hotline +49 7531 8105-888
Fax +49 7531 8105-65
info@ingun.com



Prices and delivery times on request.
Technical changes reserved. 02/26_GB

Learn more about
Tool



ingun.com