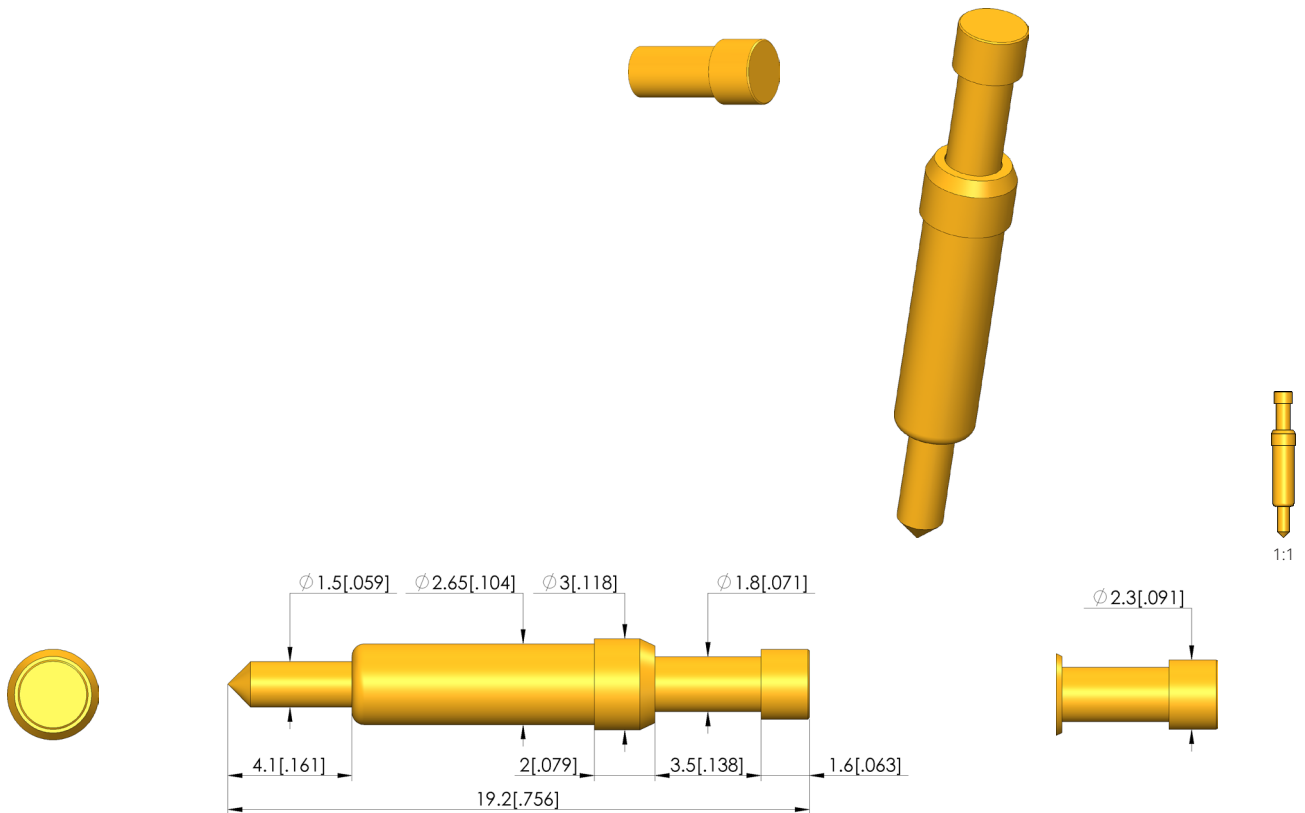




Durchgangsprüfung



General data

Product group:	ICT / FCT (in-circuit test and function test)
Sub-product group:	Metric standard
Series:	GKS-913
Grid:	4 mm [157 mil]
Contacting from:	Post
Magnetic:	Yes
Installation type:	Solderable
Quick-exchange system:	No
Type of test probe connection:	Solder connection
Adjustable installation height:	No
Non-rotating:	No
Min. temperature:	-40 °C [-40 °F]
Max. temperature:	80 °C [176 °F]
RoHS-compliant:	Yes

Tip style data

Tip style:	02 flat
Tip diameter:	2.3 mm [.09 in]
Tip style surface:	A gold
Tip style material:	1 brass

Electrical data

Current load capacity / rated current:	5 A
Typical resistance (Ri):	20 mOhm

Mechanical data

Total length:	19.2 mm [.755 in]
Barrel diameter:	2.65 mm [.104 in]
Maximum stroke:	3.5 mm [.137 in]
Spring pre-load:	0.24 N [.863 ozf]
Collar height:	02
Spring force at working stroke:	0.8 N [2.87 ozf]
Recommended working stroke:	2.8 mm [.11 in]

Test Probe

GKS-913 102 230 A 0802 1

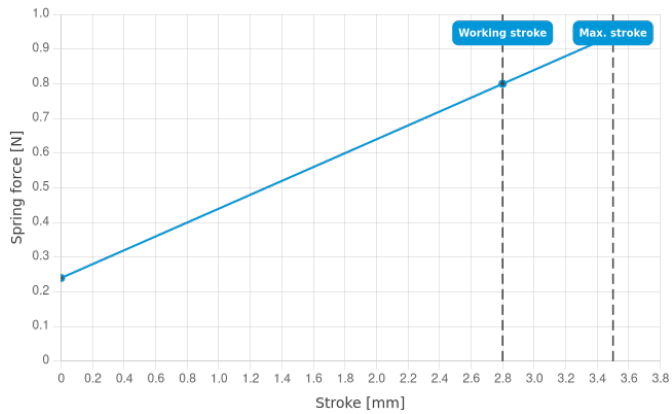
Item GKS-913-0003



GO TO PRODUCT

ingun®

Partner for Future Technology



INGUN Prüfmittelbau GmbH

Max-Stromeyer-Straße 162
78467, Constance, Germany
Phone +49 7531 8105-0
Customer hotline +49 7531 8105-888
Fax +49 7531 8105-65
info@ingun.com



Prices and delivery times on request.
Technical changes reserved. 02/26_GB

Learn more about
ICT/FCT Test probes



ingun.com