



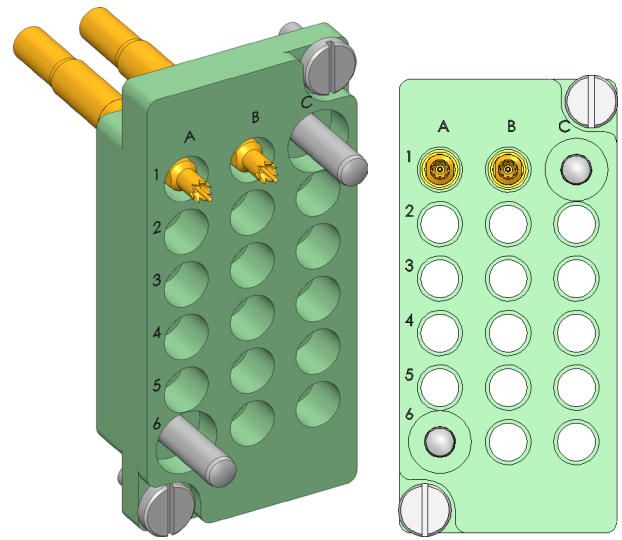
- Equipped with INGUN test probes
- Suitable for test fixtures with internal or external Pylon interface
- Consistently low contact resistances and replicable measured values
- High contact reliability and transmission quality
- Reliable transmission of radio-frequency signals within the scope of the specification

### Application

Interface blocks (SB) are used to reliably transmit signals between test device and test system in internal and external Pylon interfaces. Radio-frequency blocks are suitable for the reliable transmission of frequencies within the scope of their specification.

### Signal transmission

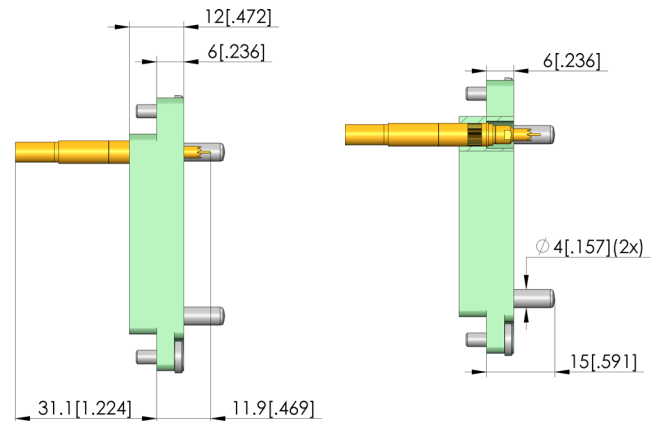
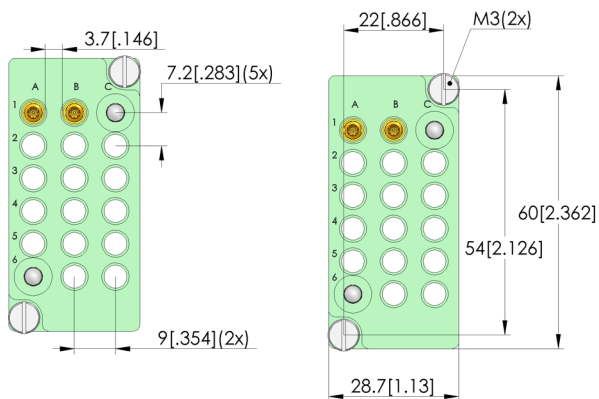
The signal is transmitted via two opposing interface blocks, which are designed for a working distance of  $15.1 \pm 0.5$  mm between their mounting surfaces.



1:1

### Delivery

The product is delivered partially assembled in the specified position, including assembly material.



### General data

|                     |                         |
|---------------------|-------------------------|
| Product group:      | Interface blocks (SB)   |
| Series:             | SB-HF                   |
| Type:               | Radio-frequency block   |
| Version:            | Test system side        |
| Accessory type:     | Customising accessories |
| Component assembly: | HFS-840-0093 & KS-810R  |
| Weight:             | 0.025 kg [0.055 lbs]    |
| Min. temperature:   | -30 °C [-22 °F]         |
| Max. temperature:   | 80 °C [176 °F]          |
| RoHS-compliant:     | Yes                     |

### Compatible with

|                            |                       |
|----------------------------|-----------------------|
| Compatible mating part 1:  | SB-P-HF-016-4GHz-02-Z |
| Manual test fixtures (MA): | MA 21xx               |
| Pylon receiver:            | RC-PYLON-12-V2        |

### Technical data

|                      |                   |
|----------------------|-------------------|
| Working distance:    | 15,1 +/- 0,5 mm   |
| Centring pin:        | +/- 0,3 mm        |
| Connection:          | SE-EF316D-0015    |
| GKS working stroke : | 4 mm [0.157 in]   |
| Spring force:        | 10.6 N [38.1 ozf] |
| Frequency up to:     | 4 GHz             |

### Electrical data

|            |        |
|------------|--------|
| Impedance: | 50 Ohm |
|------------|--------|

### INGUN Prüfmittelbau GmbH

Max-Stromeyer-Straße 162  
78467, Constance, Germany  
Phone +49 7531 8105-0  
Customer hotline +49 7531 8105-888  
Fax +49 7531 8105-65  
info@ingun.com

