

Receptacle, 2 probe version

KS-804 MTD-2

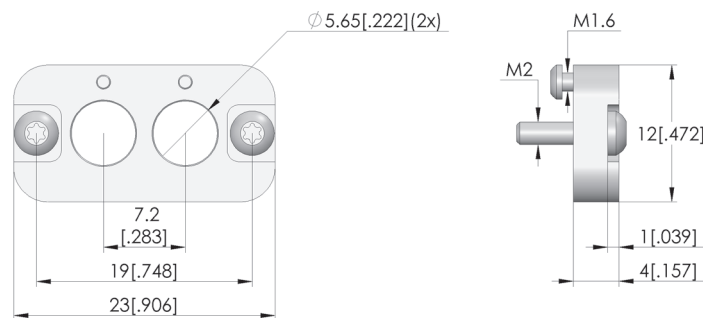
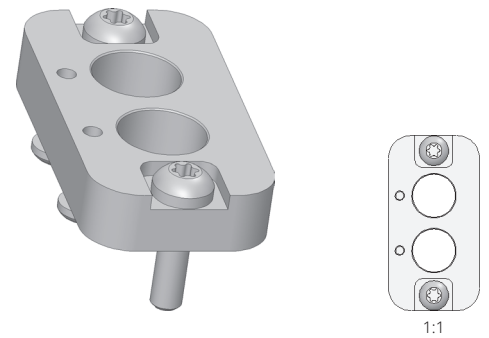
Item KS-804-0002



GO TO PRODUCT

ingun[®]

Partner for Future Technology



General data

Product group:
Series:
Sub-series:
RoHS-compliant:

Receptacles (KS)
KS-804
KS-804 MTD screw-in version
Yes

Mechanical data

Total length:

4 mm [.157 in]

INGUN Prüfmittelbau GmbH

Max-Stromeyer-Straße 162
78467, Constance, Germany
Phone +49 7531 8105-0
Customer hotline +49 7531 8105-888
Fax +49 7531 8105-65
info@ingun.com



Prices and delivery times on request.
Technical changes reserved. 01/26_GB

Learn more about
Test probes



RECEPTACLES

ingun.com