

Receptacle

KS-410 KM5-F

Item KS-410KM5-F

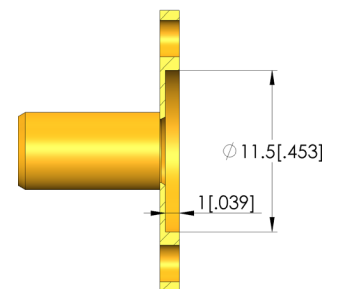
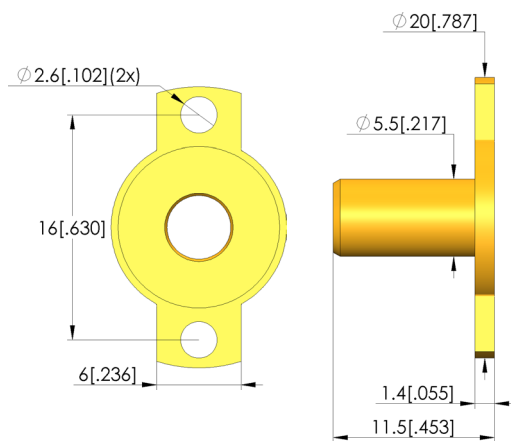
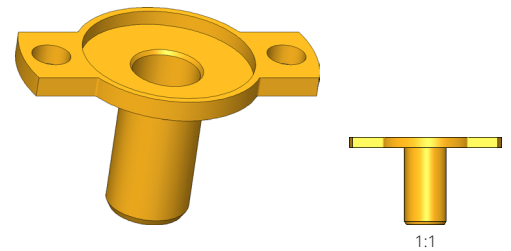


GO TO PRODUCT

ingun[®]

Partner for Future Technology

- Short receptacle with inner thread for HFS-410 series



General data

Product group:
Series:
Sub-series:
Press ring:
Surface area:
Collar diameter:
Collar height:
Knurl:
Vacuum-tight:
RoHS-compliant:

Receptacles (KS)
KS-410
KS-410 M, screw-in version
No
Gold
20 mm [0.787 in]
0.4 mm [0.015 in]
No
No
Yes

Mechanical data

Total length: 11.5 mm [0.452 in]
Outer diameter: 5.5 mm [0.216 in]

Mounting hole

Mounting hole in CEM1: 5.5 – 5.52 mm [0.216 – 0.217 in]
Mounting hole in FR4: 5.5 – 5.52 mm [0.216 – 0.217 in]

INGUN Prüfmittelbau GmbH

Max-Stromeyer-Straße 162
78467, Constance, Germany
Phone +49 7531 8105-0
Customer hotline +49 7531 8105-888
Fax +49 7531 8105-65
info@ingun.com



Prices and delivery times on request.
Technical changes reserved. 03/26_GB

Learn more about
Test probes



ingun.com