

High-Frequency Probe

HFS-819 303 090 A 20743 V2-Z

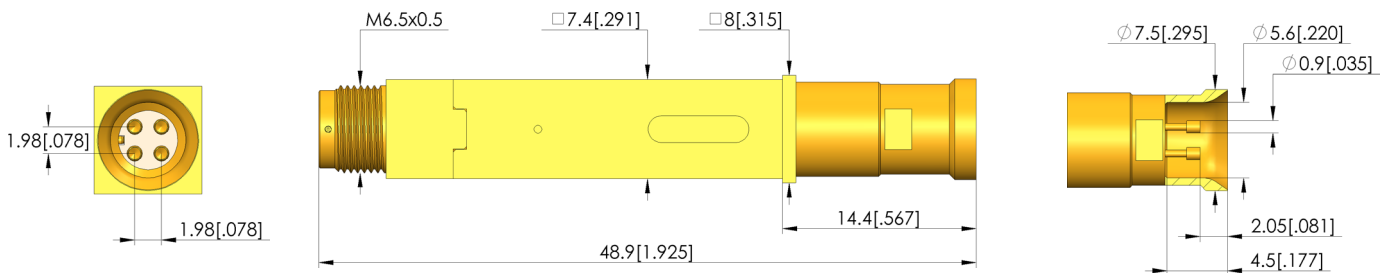
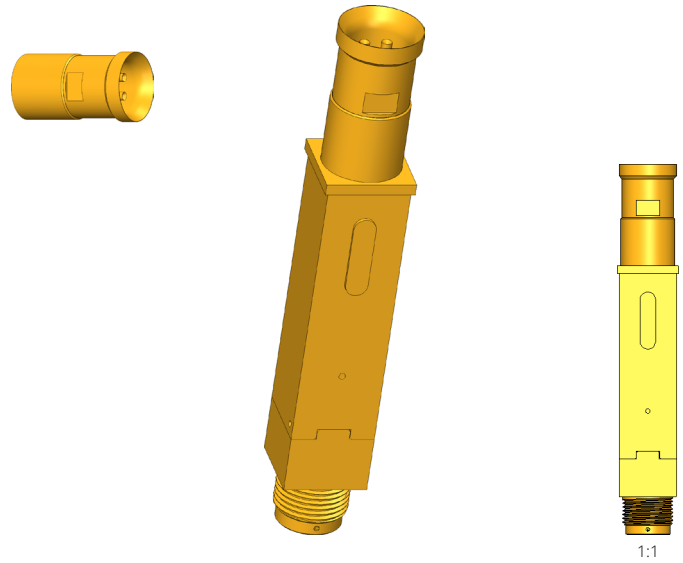
Item HFS-819-0042



ingun®

Partner for Future Technology

- For testing HSD connectors (Rosenberger)
- Used for the transmission of high-speed data for navigation and entertainment in automotive engineering.
- For high data rates, e.g. LVDS signals, GVIF or USB
- Adjustable storage of the HFS-819
- Installation: press directly into the mounting plate or via flange mounting
- Cable interface optionally with screw-in INGUN plug



High-Frequency Probe

HFS-819 303 090 A 20743 V2-Z

Item HFS-819-0042



GO TO PRODUCT

ingun[®]

Partner for Future Technology

General data

Product group:	HFS radio-frequency test probes
Series:	HFS-819
Sub-series:	HFS-819 Z plug, screw-in
Grid:	12 mm [472 mil]
DUT / contact:	HSD
Installation type:	Plug-in
DUT interface gender :	M signal conductor male / pin
Floating mount:	No
Non-rotating:	Yes
Continuous plunger:	Yes
Interface of compatible assembly:	SE-819 V5-Z plug, screw-in, for HFS-819
Compatible assembly interface gender :	F signal conductor female / socket
Recommended torque at interface:	10 cNm [.885 lbf-in]
KS sub-series:	HAS-819D8 160 floating version
Min. temperature:	-40 °C [-40 °F]
Max. temperature:	80 °C [176 °F]
RoHS-compliant:	Yes

Outer conductor data

Outer conductor tip style:	43 centring for outer side of connector
Outer conductor tip style diameter:	7.5 mm [.295 in]
Spring force of entire outer conductor at working stroke:	15.5 N [55.7 ozf]
Outer conductor working stroke:	5 mm [.196 in]
Outer conductor maximum stroke:	6 mm [.236 in]
Exchangeable outer conductor:	KO-819143750A-V2
Outer conductor max. current load capacity:	3 A

Inner conductor data

Inner conductor tip style:	03 inverse cone
Inner conductor tip style diameter:	0.9 mm [.035 in]
Inner conductor tip style material:	3 CuBe
Inner conductor tip style surface:	A gold
Number of inner conductors:	4 2 differential pair
Exchangeable inner conductor:	GKS-051-0017
Inner conductor working stroke:	2 mm [.078 in]
Spring force of each inner conductor at working stroke:	1.3 N [4.67 ozf]
Inner conductor maximum stroke:	3.7 mm [.145 in]
Inner conductor max. current load capacity:	3 A

Electrical data

Impedance:	100 Ohm
Dielectric strength:	1.2 kV

Mechanical data

Total spring force at working stroke:	20.7 N [74.4 ozf]
Total length:	48.9 mm [1.92 in]
Barrel diameter:	7.4 mm [.291 in]
Installation height without receptacle:	14.4 mm [.566 in]

INGUN Prüfmittelbau GmbH

Max-Stromeyer-Straße 162
78467, Constance, Germany
Phone +49 7531 8105-0
Customer hotline +49 7531 8105-888
Fax +49 7531 8105-65
info@ingun.com



Prices and delivery times on request.
Technical changes reserved. 01/26_GB

Learn more about
Radio-frequency test probes

