

# Receptacle

## KS-672 D10 M12-R

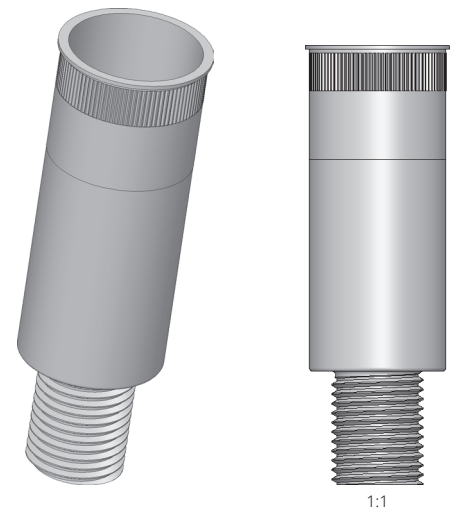
Item KS-672D10M12-R



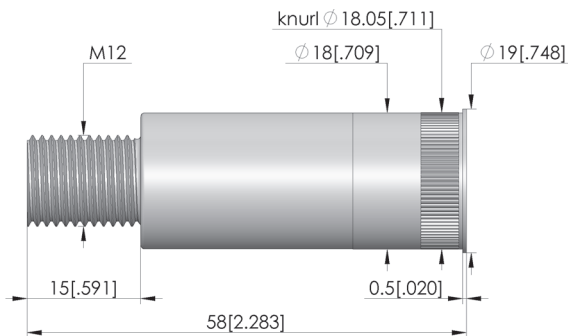
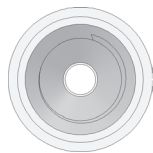
GO TO PRODUCT

**ingun**<sup>®</sup>

Partner for Future Technology



1:1



### General data

Product group:	Receptacles (KS)
Series:	KS-672
Sub-series:	KS-672 M-D10 screw-in version for 10 mm HKR
Type of receptacle connection:	Thread (M)
Press ring:	No
Surface area:	Silver
Collar diameter:	19 mm [.748 in]
Collar height:	0.5 mm [.019 in]
Knurl:	Yes
Vacuum-tight:	No
RoHS-compliant:	Yes

### Mechanical data

Total length:	58 mm [2.28 in]
Outer diameter:	18 mm [.708 in]

### Mounting hole

Mounting hole in CEM1:	18 - 18.02 mm [.708 - .709 in]
Mounting hole in FR4:	18 - 18.02 mm [.708 - .709 in]

### INGUN Prüfmittelbau GmbH

Max-Stromeyer-Straße 162  
78467, Constance, Germany  
Phone +49 7531 8105-0  
Customer hotline +49 7531 8105-888  
Fax +49 7531 8105-65  
info@ingun.com



Prices and delivery times on request.  
Technical changes reserved. 05/26\_GB

Learn more about  
Test probes



ingun.com

RECEPTACLES