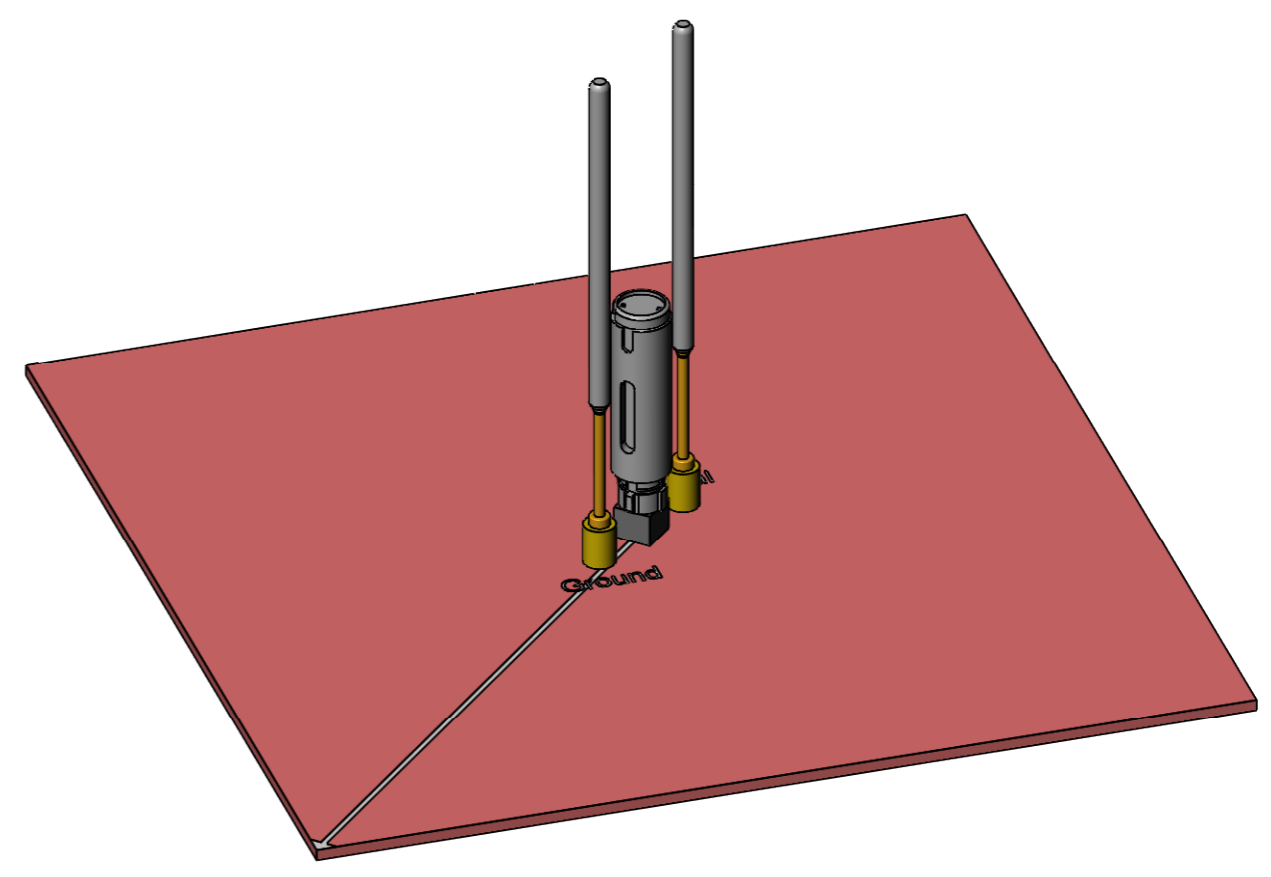
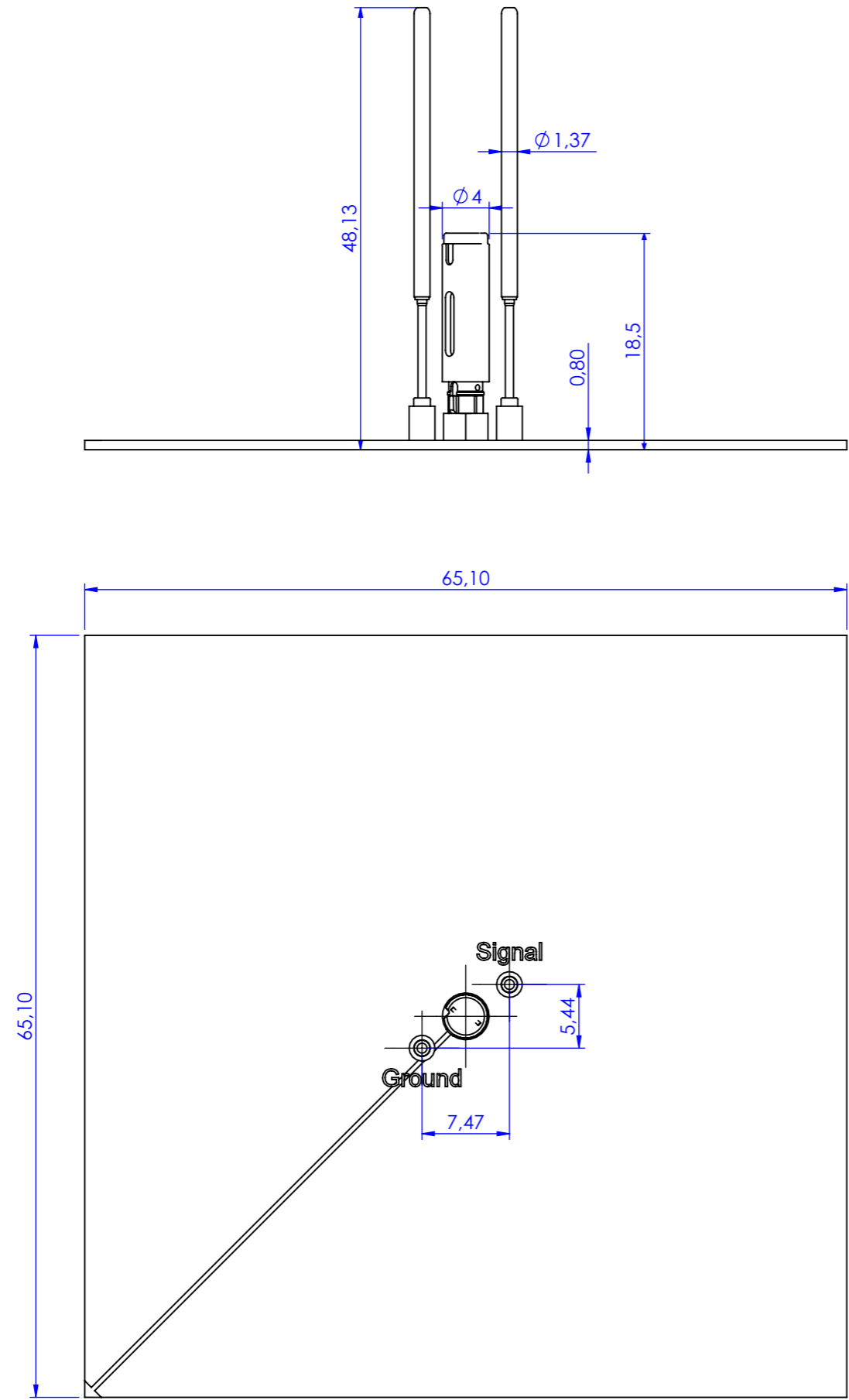


This technical documentation is intellectual property of INGUN Prüfmittelbau GmbH. Unless otherwise contractually agreed in writing, it is not permitted to duplicate or disseminate it, nor may it be made accessible to third parties in any other way, or otherwise be misused without our explicit prior consent.



empfohlener Arbeitshub 2,0 mm
recommended stroke

Maßstab/Scale: 2:1	Benennung/Designation:	RoHS-3	
gespeichert/saved: 23.02.2021 14:27:59	OTU-KS-NV-065-065 nanoVTEP SensorPlate 2.5 inch		
Montageanleitung/instruction sheet	OTU-KS-NV-065-065 nanoVTEP SensorPlate 2.5 inch		
	Artikel-Nr./PartNo.:	Index:	Blatt/Sheet
	109705	0	1 von 1
			DIN A3