

Electric contact terminal

EKT-B-LL2,4

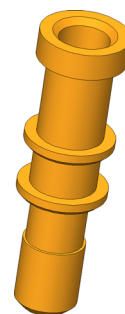
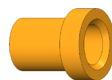
Item 22042



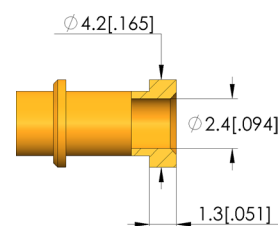
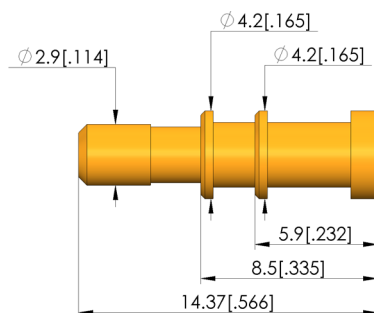
GO TO PRODUCT

ingun®

Partner for Future Technology



1:1



General data

Product group:
Series:
Type:
Version:
Accessory type:
Material:
Weight:
Min. temperature:
Max. temperature:
RoHS-compliant:

Electric accessory
EKT
Receptacle
Interface block
Customising accessories
Brass
0.01 kg [.022 lbs]
10 °C [50 °F]
60 °C [140 °F]
Yes

Compatible with

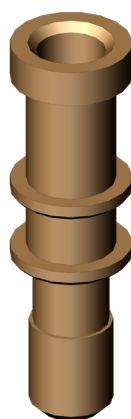
Accessories:

SB-T/P-LL-024-DK1,5-Z

Technical data

Connection:
Installation:
Length:
Diameter:

Bore D = 1.5 mm
Plugged
14.4 mm [.566 in]
4.2 mm [.165 in]



INGUN Prüfmittelbau GmbH

Max-Stromeyer-Straße 162
78467, Constance, Germany
Phone +49 7531 8105-0
Customer hotline +49 7531 8105-888
Fax +49 7531 8105-65
info@ingun.com



Prices and delivery times on request.
Technical changes reserved. 04/26_GB