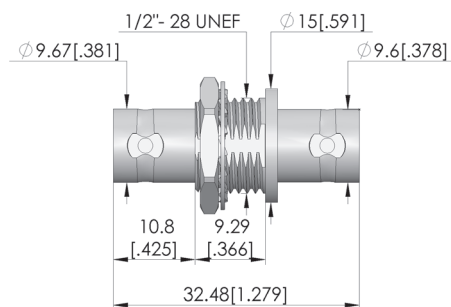
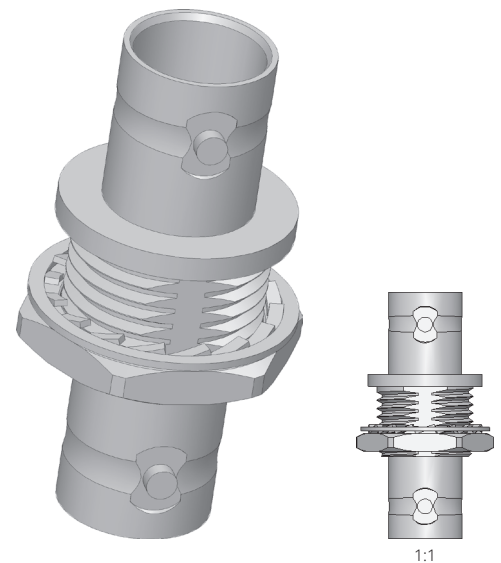




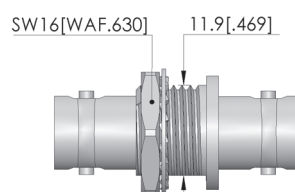
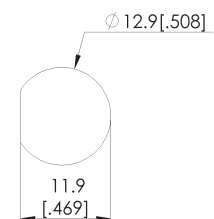
- EMC-compliant radio-frequency transfers for connecting highly sensitive PCBs to the measuring system, from and into the shielding area
- Interference-free transmission of radio-frequency signals
- 500 mating cycles

Application

Coaxial radio-frequency transmission is used to transmit radio-frequency signals from and to the radio-frequency chamber. The transmission is almost loss-free.



drilling specifications



General data

Product group:
Series:
Type:
Version:
Accessory type:
Weight:
Min. temperature:
Max. temperature:
RoHS-compliant:

RF accessories
HF-U
RF transfer
BNC plug connector
Customising accessories
0.02 kg [.044 lbs]
-65 °C [-85 °F]
165 °C [329 °F]
Yes

Compatible with

Exchangeable kits version:
MA exchangeable kits (ATS MA):

HF
ATS MAxx/HF/AL/ESD

Technical data

Connection:
Tip diameter:
Number of poles:
Frequency up to:
Length:
Diameter:

1/2-28 UNEF
9.6 mm [.377 in]
1
3 GHz
32.5 mm [1.27 in]
15 mm [.59 in]

Electrical data

Impedance: 75 Ohm

RF transfer

HF-U-BNC-03GHz-75OHM-F-F

Item 43461



ingun[®]

Partner for Future Technology

VSWR – Voltage Standing Wave Ratio		
Frequency range	Return loss	VSWR
0 GHz ... 1 GHz	35 dB	1.04
1 GHz ... 2 GHz	24 dB	1.13
2 GHz ... 3 GHz	23 dB	1.15

INGUN Prüfmittelbau GmbH

Max-Stromeyer-Straße 162
78467, Constance, Germany
Phone +49 7531 8105-0
Customer hotline +49 7531 8105-888
Fax +49 7531 8105-65
info@ingun.com



Prices and delivery times on request.
Technical changes reserved. 11/25_GB