

Attenuator

HFS-ADA-SMA-M-SMA-F-03DB

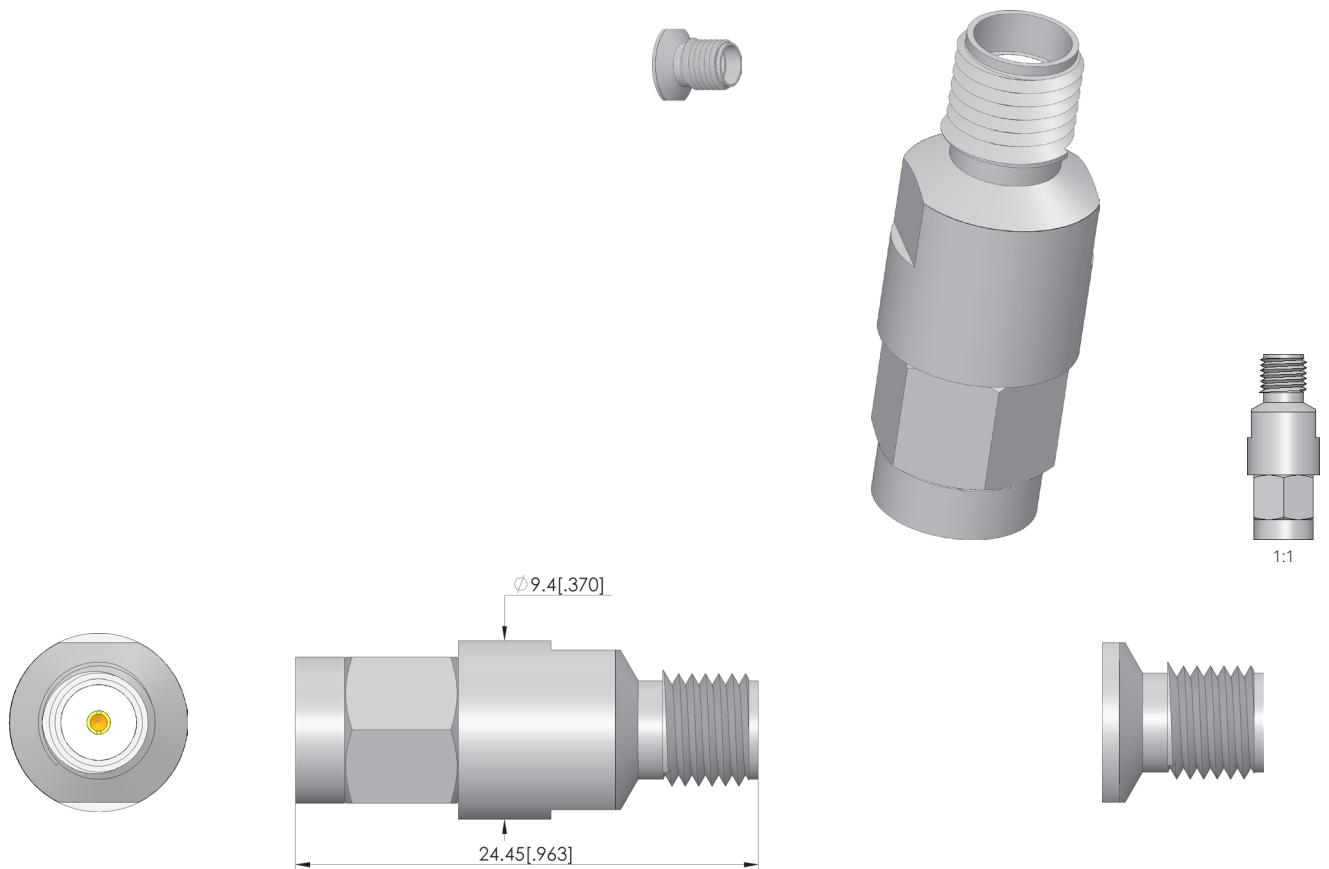
Item HFS-ADA-0002



GO TO PRODUCT

ingun[®]

Partner for Future Technology



General data

Product group:

Series:

Sub-series:

Min. temperature:

Max. temperature:

RoHS-compliant:

Electrical data

Maximum frequency:

Impedance:

Maximum performance:

Attenuator (HFS-ADA)

RF ADA fixture

RF ADA fixture DB inline attenuator

-55 °C [-67 °F]

150 °C [302 °F]

Yes

6 GHz

50 Ohm

2 W

Cable data

Attenuation Fmax:

3 dB

Connector data

Interface 1:

SMA

Interface gender 1:

M signal conductor male / plug

Version 1:

Straight

Interface 2:

SMA

Interface gender 2:

F signal conductor female / socket

Version 2:

Straight

INGUN Prüfmittelbau GmbH

Max-Stromeyer-Straße 162

78467, Constance, Germany

Phone +49 7531 8105-0

Customer hotline +49 7531 8105-888

Fax +49 7531 8105-65

info@ingun.com



Prices and delivery times on request.
Technical changes reserved. 01/26_GB

Learn more about
Test probes



PLUG AND CABLE

ingun.com