

High-current multi-heads BCM-667-0001 C01-08-03

产品 BCM-667-0005



直接访问产品

ingun®

Partner for Future Technology

- 可靠触探电芯
- 采用模块化设计, 可通过成熟可靠的 INGUN 标准产品扩展电流传输
- 可通过中心感应触点监测电压
- TKS-667 integrated in the center for temperature and voltage measurement
- 可通过螺栓轻松灵活地安装在板或汇流排上

使用

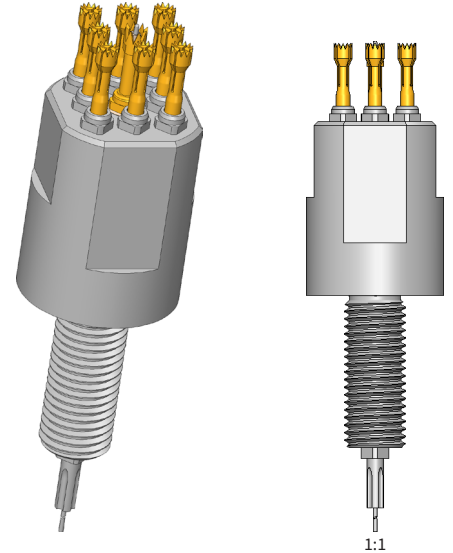
BCM-Series is specially developed for the flexible scalability of high-current contacting. The modular design makes it possible to adapt the product characteristics to the application, and therefore always provide the right product for a high variable range of DUTs, as is the case with the contacting of battery cells.

结构

HCM-Products each consist of a base body and several high-current test probes which create a parallel circuit. The functionality can be additionally extended using a centrally positioned sense contact probe or temperature measurement probe with integrated sense tap.

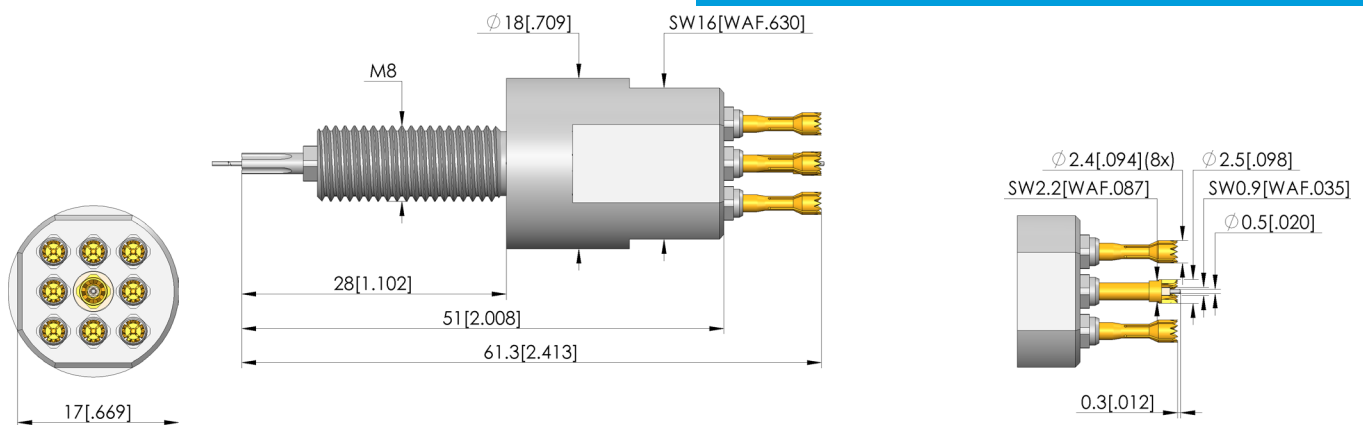
安装

BCM Products can be installed in a corresponding hole on a probe plate using lock nuts or installed directly in a busbar via a corresponding threaded hole. If a BCM Product is installed in a non-conductive plate, for example, the current connection can be made at the threaded bolt via a cable lug. The optional sense contact probe, to be connected to the soldering recess provided, and the temperature sensor are dissipated centrally.



提示:

The base bodies are designed for either five or eight current-transmitting test probes from the BCP-120, BCP-113 and BCP-667 series with various tip styles, which can be freely configured in terms of both quantity and layout. By combining the modular high-current multi-head solution with BCP-667 probes, which were specifically developed for contacting battery cells with oxidised contact surfaces, it is possible to greatly reduce the power losses that occur during cell production.



Sense line including temperatur sensor
TKS-667 388 250 A 5602 M-T5



High-current multi-heads BCM-667-0001 C01-08-03

产品 BCM-667-0005



直接訪問產品

ingun®

Partner for Future Technology

一般数据

Screw-in torque max.:	60 cNm
产品组:	标准大电流探针 (旋接式)
子产品组:	标准大电流探针 (旋接式)
结构系列:	
Application rec.:	
栅格:	15 mm
被测器件/触点:	
电磁:	是
安装类型:	可旋入
快速更换系统:	否
探针上的连接类型:	螺纹接口
安装高度, 可调:	否
防扭转:	是
旋入扭矩:	60 cNm
最小温度:	-40 °C
最大温度:	80 °C
RoHS 符合性:	是

针头形状数据

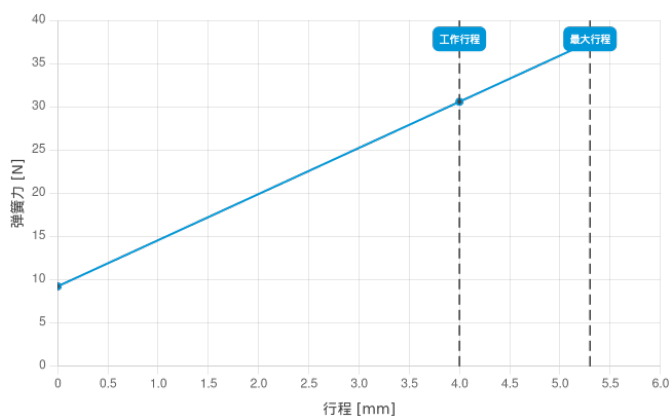
针头形状:	68 型扩张头, 带端面尖端/切割刃
针头直径:	2,4 mm
针头形状 表面:	A 金
针头形状 材料:	3 铍铜

电气数据

载流能力/额定电流:	160 A
铜材额定电流 @ $\Delta T \leq 20$ K:	80 A
铜材额定电流 @ $\Delta T \leq 60$ K:	160 A
铝材额定电流 @ $\Delta T \leq 20$ K:	65 A
铝材额定电流 @ $\Delta T \leq 60$ K:	100 A
电阻 (Ri) 典型值, 活塞上的连接:	1 mOhm

机械数据

总长:	61,3 mm
针管直径:	14 mm
最大行程:	5,3 mm
弹簧预紧力:	9,25 N
工作行程中的弹簧力:	30,6 N
建议工作行程:	4 mm



INGUN Prüfmittelbau GmbH

Max-Stromeyer-Straße 162
78467 Konstanz, 德国
中央办公室。+49 7531 8105-0
客户热线。+49 7531 8105-888
传真 +49 7531 8105-65
info@ingun.com



根據要求提供價格和交貨時間。
保留技術更改。06/26_CN

关于该主题的更多信息
大电流探针



大电流探针