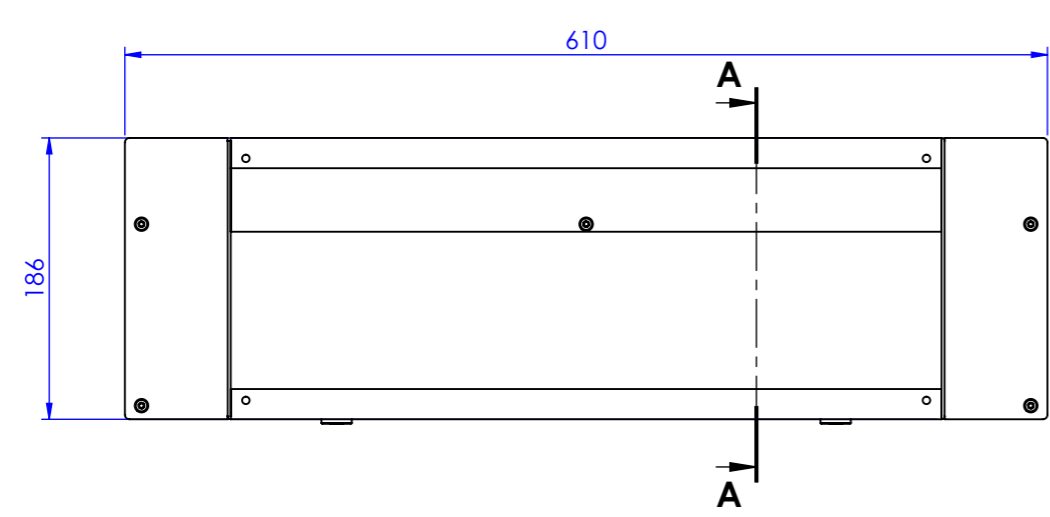
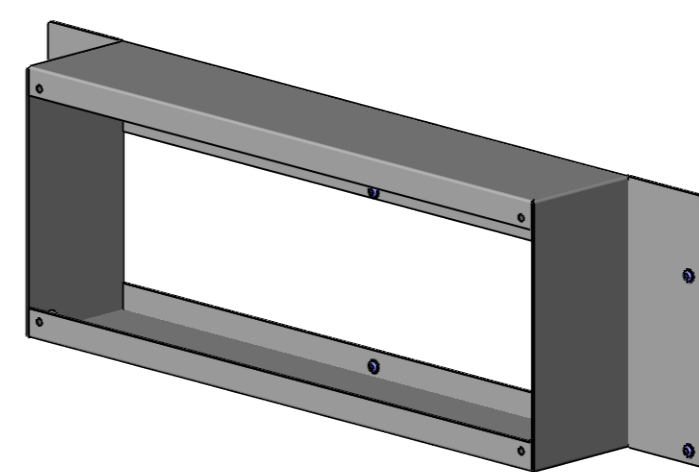
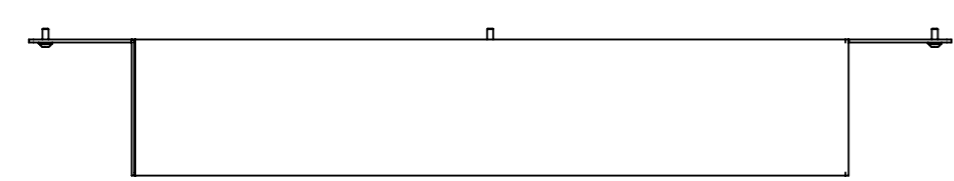
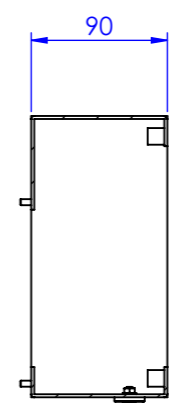


This technical documentation is intellectual property of INGUN Prüfmittelbau GmbH. Unless otherwise contractually agreed in writing, it is not permitted to duplicate or disseminate it, nor may it be made accessible to third parties in any other way, or otherwise be misused without our explicit prior consent.



SCHNITT A-A



**Montage**  
**siehe INFO 4577**  
**Assembly please**  
**refer to INFO 4577**

Maßstab/Scale:	1:5
gespeichert/saved:	25.04.2022 14:58:02
Montageanleitung/instruction sheet	
<b>ingun</b>	

Benennung/Designation:		<b>RoHS-3</b>	
SSA-ODU-FOUR-A-MAXx13 Schnittstellenaufnahme			
SSA-ODU-FOUR-A-MAXx13   Interface support			
Artikel-Nr./PartNo.:	<b>112219</b>	Index:	<b>0</b>
		Blatt/Sheet:	1 von 1
			DIN A3