

Receptacle

KS-761 60 35 M-R

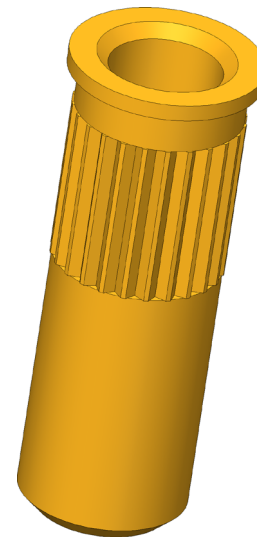
Item KS-7616035M-R



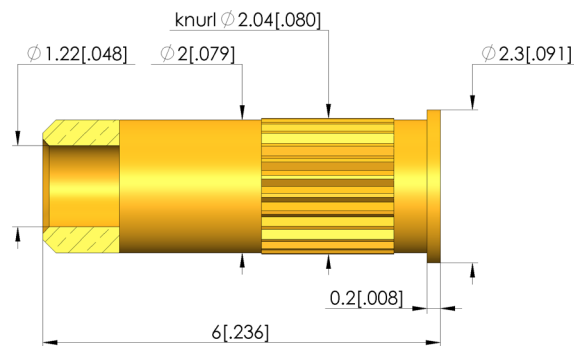
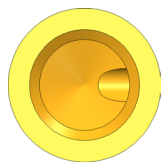
GO TO PRODUCT

ingun[®]

Partner for Future Technology



1:1



General data

Product group:
Series:
Sub-series:
Type of receptacle connection:
Press ring:
Surface area:
Collar diameter:
Collar height:
Knurl:
Vacuum-tight:
RoHS-compliant:

Receptacles (KS)
KS-761
KS-761 M screw-in version
Plug / open
No
Gold
2.3 mm [.09 in]
0.2 mm [.007 in]
Yes
No
Yes

Mechanical data

Total length: 6 mm [.236 in]
Outer diameter: 2 mm [.078 in]

Mounting hole

Mounting hole in CEM1: 2 – 2.02 mm [.078 – .079 in]
Mounting hole in FR4: 2 – 2.02 mm [.078 – .079 in]

INGUN Prüfmittelbau GmbH

Max-Stromeyer-Straße 162
78467, Constance, Germany
Phone +49 7531 8105-0
Customer hotline +49 7531 8105-888
Fax +49 7531 8105-65
info@ingun.com



Prices and delivery times on request.
Technical changes reserved. 04/26_GB

Learn more about
Test probes

