

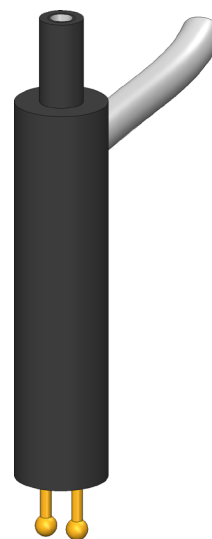


GO TO PRODUCT

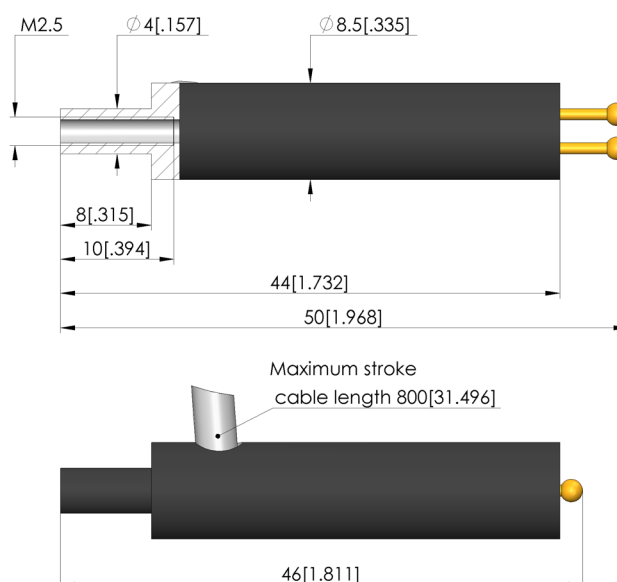
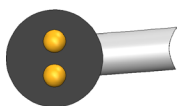
- Component for the Opens test, for capacitive testing of semiconductor chips for open circuits, short circuits and soldering faults
- Suitable for SPEA test systems

### Application

The OpenPin Check test probe is used for capacitive testing of integrated circuits to check the wire-bonded connections inside an integrated circuit for open circuits, short circuits and soldering faults.



1:1



### General data

Product group:  
Series:  
Type:  
Version:  
Accessory type:  
Scope of delivery:  
Height:  
Weight:  
Min. temperature:  
Max. temperature:  
RoHS-compliant:

Opens tests  
OTC  
SPEA opens test  
Open Pin check  
Customising accessories  
Escan-probe-50  
50 mm [1.96 in]  
0.01 kg [.022 lbs]  
10 °C [50 °F]  
60 °C [140 °F]  
Yes

### Compatible with

Interchangeable kits (WS):

WS SPEA

### Technical data

Stroke: 4 mm [.157 in]  
Installation: Thread M2.5  
Number of poles: 2  
Diameter: 8.5 mm [.334 in]  
Pin diameter: 4 mm [.157 in]  
Cable length: 800 mm [31.4 in]

Escan ElectroScanProbe-50

**OTC-SP-ES-EP-L800**

Item 33515



**ingun**<sup>®</sup>

Partner for Future Technology



**INGUN Prüfmittelbau GmbH**

Max-Stromeyer-Straße 162  
78467, Constance, Germany  
Phone +49 7531 8105-0  
Customer hotline +49 7531 8105-888  
Fax +49 7531 8105-65  
info@ingun.com



Prices and delivery times on request.  
Technical changes reserved. 04/26\_GB