



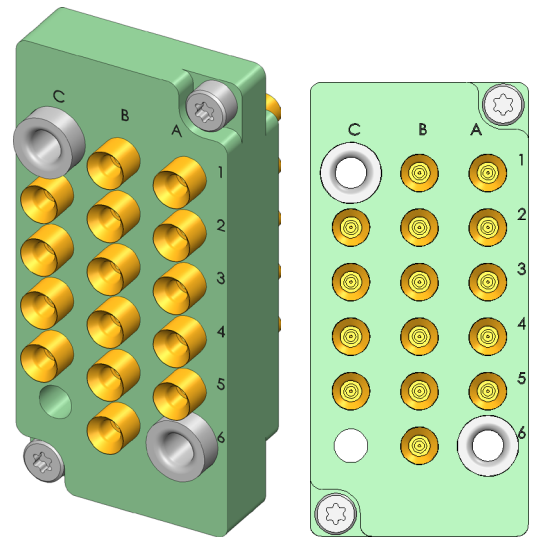
- Equipped with INGUN test probes
- Suitable for test fixtures with internal or external Pylon interface
- Consistently low contact resistances and replicable measured values
- High contact reliability and transmission quality
- Reliable transmission of radio-frequency signals within the scope of the specification

### Application

Interface blocks (SB) are used to reliably transmit signals between test device and test system in internal and external Pylon interfaces. Radio-frequency blocks are suitable for the reliable transmission of frequencies within the scope of their specification.

### Signal transmission

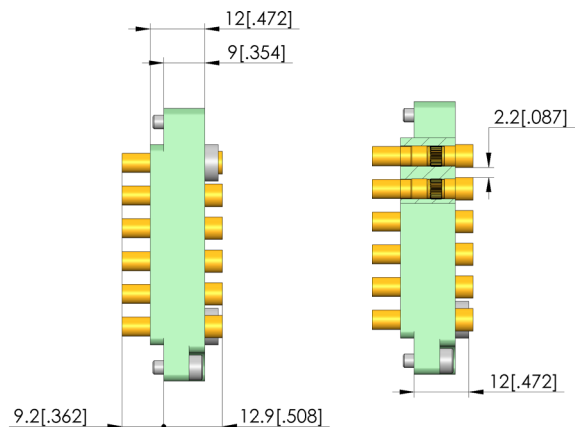
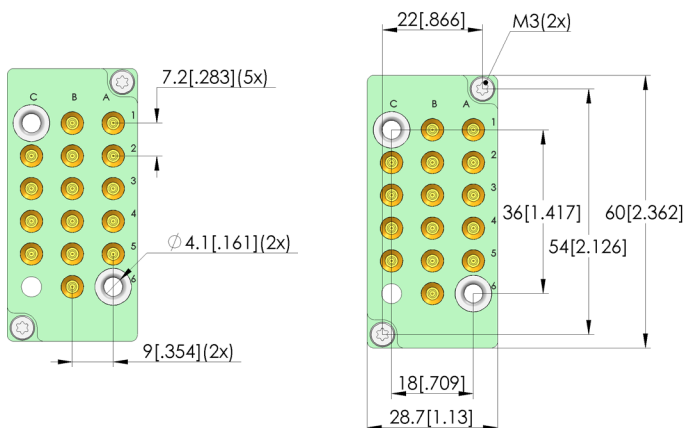
The signal is transmitted via two opposing interface blocks, which are designed for a working distance of  $15.1 \pm 0.5$  mm between their mounting surfaces.



1:1

### Delivery

The product is delivered partially assembled in the specified position, including assembly material.



# Interface block

## SB-P-HF-016-4GHz-15-Z

Item 38171



GO TO PRODUCT

**ingun**<sup>®</sup>

Partner for Future Technology

### General data

|                     |                              |
|---------------------|------------------------------|
| Product group:      | Interface blocks (SB)        |
| Series:             | SB-HF                        |
| Type:               | Radio-frequency block        |
| Version:            | Device under test (DUT) side |
| Accessory type:     | Customising accessories      |
| Component assembly: | SB-810-Z (MCX)               |
| Weight:             | 0.039 kg [.085 lbs]          |
| Min. temperature:   | -30 °C [-22 °F]              |
| Max. temperature:   | 80 °C [176 °F]               |
| RoHS-compliant:     | Yes                          |

### Electrical data

|            |        |
|------------|--------|
| Impedance: | 50 Ohm |
|------------|--------|

### Compatible with

|                                |                       |
|--------------------------------|-----------------------|
| Compatible mating part 1:      | SB-T-HF-016-4GHz-15-Z |
| MA exchangeable kits (ATS MA): | ATS MAxx              |

### Technical data

|                   |                      |
|-------------------|----------------------|
| Working distance: | 15,1 +/- 0,5 mm      |
| Centring pin:     | +/- 0,3 mm           |
| Connection:       | SE-EF316D-0015       |
| Number of poles:  | 15 (fixed positions) |
| Frequency up to:  | 4 GHz                |

### INGUN Prüfmittelbau GmbH

Max-Stromeyer-Straße 162  
78467, Constance, Germany  
Phone +49 7531 8105-0  
Customer hotline +49 7531 8105-888  
Fax +49 7531 8105-65  
info@ingun.com

