

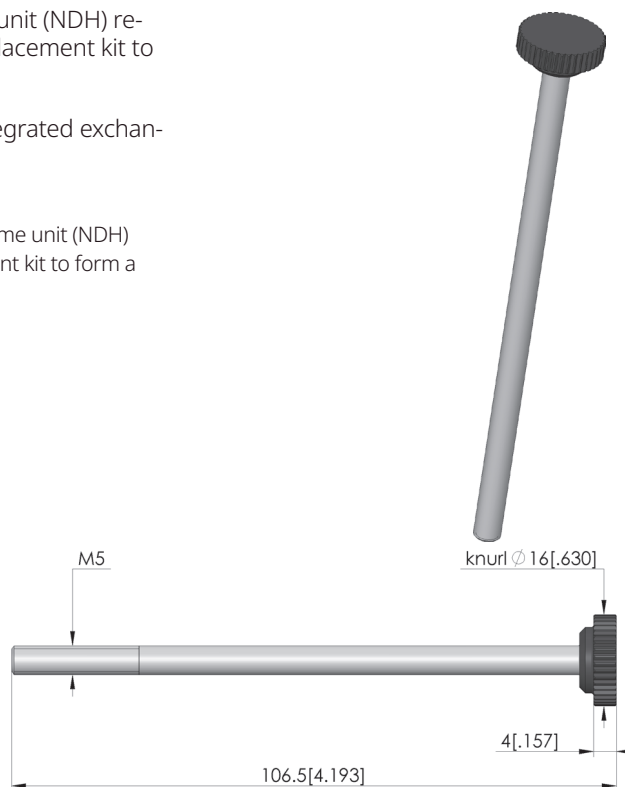


GO TO PRODUCT

- Secure screw connection of pressure frame unit (NDH) replacement kit and probe plate unit (KTE) replacement kit to form a single unit
- Quick, easy transport and storage of the integrated exchangeable kit

Application

Stacking screws are used to connect the pressure frame unit (NDH) replacement kit and probe plate unit (KTE) replacement kit to form a single unit.



General data

Product group:
Series:
Type:
Version:
Accessory type:
Material:
Weight:
Min. temperature:
Max. temperature:
RoHS-compliant:

Mechanical accessory
MSS
ATS-HF
Customising accessories
Steel
0.01 kg [.022 lbs]
10 °C [50 °F]
60 °C [140 °F]
Yes

Compatible with

Exchangeable kits version:
MA exchangeable kits (ATS MA):

HF
ATS MAxx/HF/ESD

Technical data

Installation:
Length:
Diameter:

Thread M5
106 mm [4.19 in]
16 mm [.629 in]

INGUN Prüfmittelbau GmbH

Max-Stromeyer-Straße 162
78467, Constance, Germany
Phone +49 7531 8105-0
Customer hotline +49 7531 8105-888
Fax +49 7531 8105-65
info@ingun.com

