

Temperature sensor

TTC-SP-NTC-SP-010-010-GKS-KS14

Item 60291



GO TO PRODUCT

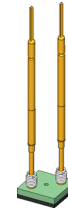
ingun[®]

Partner for Future Technology

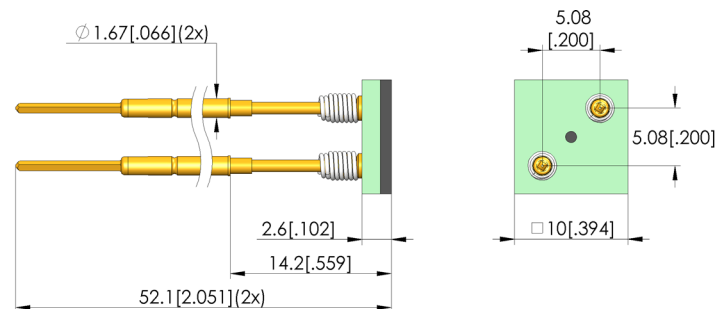
- NTC temperature sensor incl. heat conducting pad
- Quick, easy installation
- Suitable for SPEA 3030 test systems
- Electrical resistance value: 10 kOhm

Application

The temperature sensor provides an electrical signal as a measure of the temperature. As an NTC version, it reduces its resistance when the temperature increases.



1:1



General data

Product group:	Opens tests
Series:	OTU
Type:	SPEA temperature measurement
Version:	NTC temperature sensor
Accessory type:	Customising accessories
Scope of delivery:	Temperature sensor, GKS
Width:	10 mm [.393 in]
Height:	52.1 mm [2.05 in]
Weight:	0.01 kg [.022 lbs]
Min. temperature:	10 °C [50 °F]
Max. temperature:	60 °C [140 °F]
RoHS-compliant:	Yes

Compatible with

Interchangeable kits (WS): WS SPEA/3030

Technical data

Stroke:	2 mm [.078 in]
Spring force:	2 N [7.19 ozf]
Length:	10 mm [.393 in]
Outer dimensionS (WxDxH):	10 x 10 x 52.1 mm [.393 x .393 x 2.05 in]

INGUN Prüfmittelbau GmbH

Max-Stromeyer-Straße 162
78467, Constance, Germany
Phone +49 7531 8105-0
Customer hotline +49 7531 8105-888
Fax +49 7531 8105-65
info@ingun.com



Prices and delivery times on request.
Technical changes reserved. 03/26_GB