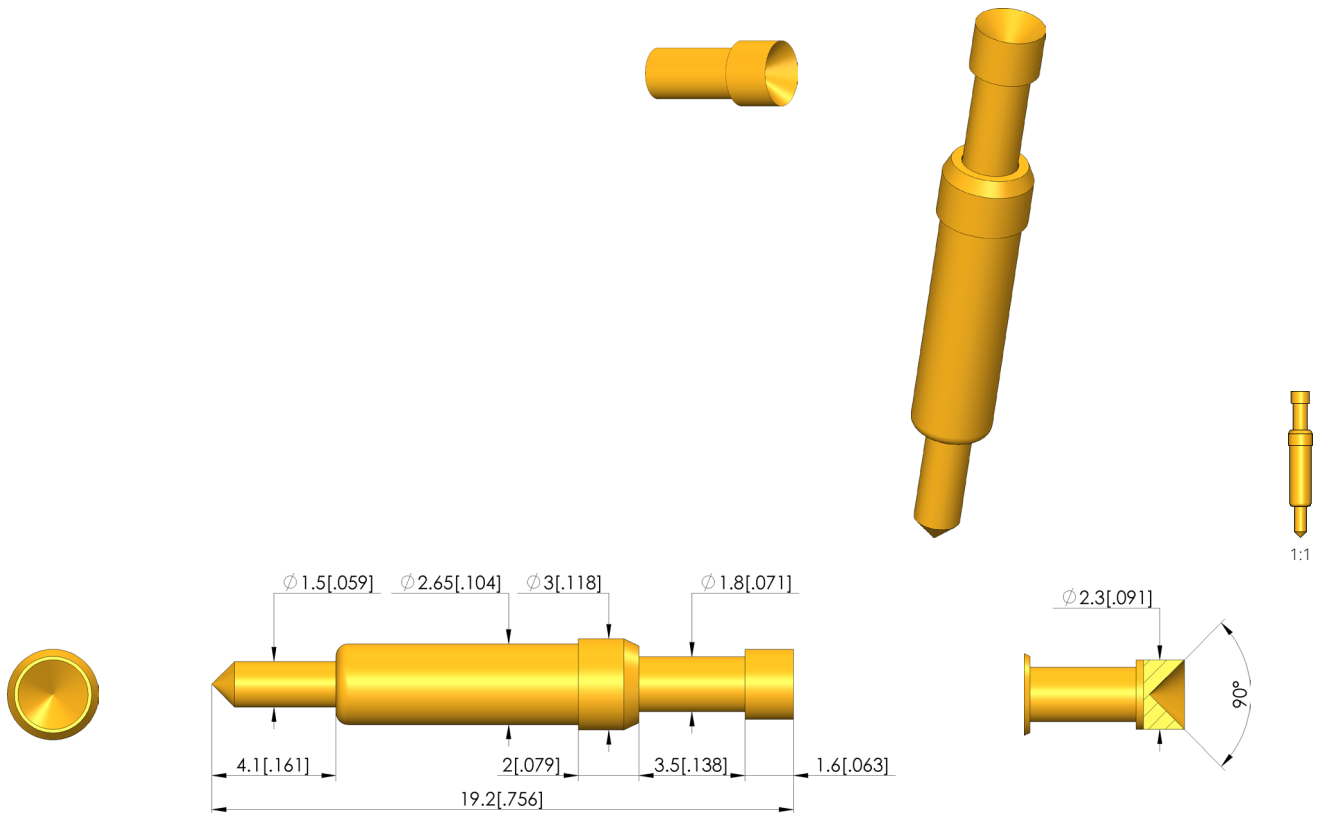




GO TO PRODUCT

Durchgangsprüfung



General data

Product group:	ICT / FCT (in-circuit test and function test)
Sub-product group:	Metric standard
Series:	GKS-913
Grid:	4 mm [157 mil]
Contacting from:	Post
Magnetic:	Yes
Installation type:	Solderable
Quick-exchange system:	No
Type of test probe connection:	Solder connection
Adjustable installation height:	No
Non-rotating:	No
Min. temperature:	-100 °C [-148 °F]
Max. temperature:	200 °C [392 °F]
RoHS-compliant:	Yes

Tip style data

Tip style:	03 inverse cone
Tip diameter:	2.3 mm [.09 in]
Tip style surface:	A gold
Tip style material:	3 CuBe

Electrical data

Current load capacity / rated current:	8 A
Typical resistance (Ri):	100 mOhm

Mechanical data

Total length:	19.2 mm [.755 in]
Barrel diameter:	2.65 mm [.104 in]
Maximum stroke:	3.5 mm [.137 in]
Spring pre-load:	0.45 N [1.61 ozf]
Collar height:	02
Spring force at working stroke:	1.5 N [5.39 ozf]
Recommended working stroke:	2.8 mm [.11 in]

INGUN Prüfmittelbau GmbH

Max-Stromeyer-Straße 162
78467, Constance, Germany
Phone +49 7531 8105-0
Customer hotline +49 7531 8105-888
Fax +49 7531 8105-65
info@ingun.com



Learn more about
ICT/FCT Test probes

