

This technical documentation is intellectual property of INGUN Prüfmittelbau GmbH. Unless otherwise contractually agreed in writing, it is not permitted to duplicate or disseminate it, nor may it be made accessible to third parties in any other way, or otherwise be misused without our explicit prior consent.

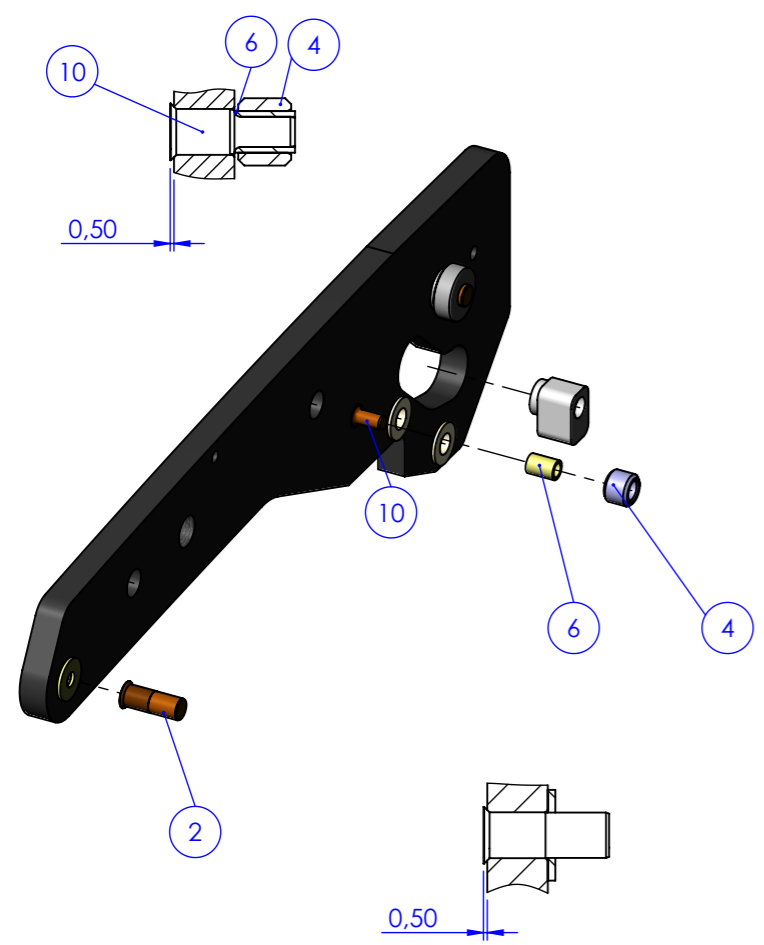
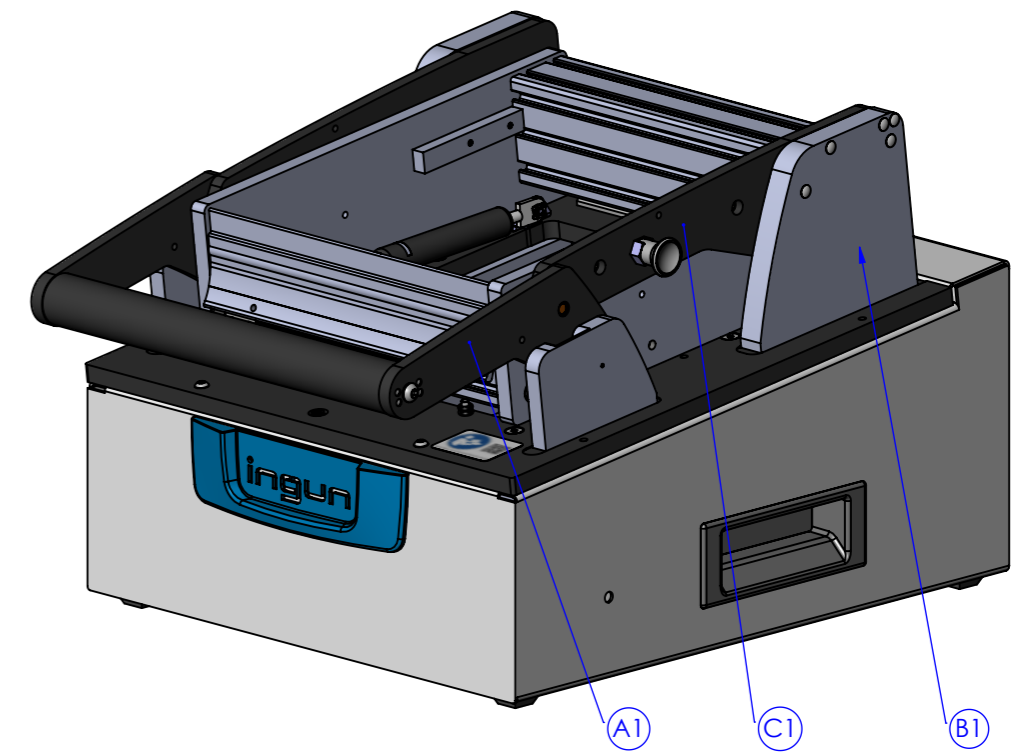
| 1                      | 2                 | 3                                | 4   | 5 | 6 | 7 | 8 |
|------------------------|-------------------|----------------------------------|---|---|---|---|---|
| Pos.-Nr.:<br>Item-no.: | Menge:<br>amount: | Benennung DE:<br>description DE: | Benennung EN:<br>description EN:                |   |   |   |   |
| 1                      | 2                 | Kulissenstein für MA             | Slide block for MA drive unit                   |   |   |   |   |
| 2                      | 4                 | Zylinderstift ASF 6x16           | Cylindrical pin with chamfer   6x16             |   |   |   |   |
| 3                      | 12                | Gleitlager                       | Friction bearing   igus JFM 0608-04             |   |   |   |   |
| 4                      | 2                 | Koppelrolle gelagert             | Friction bearing                                |   |   |   |   |
| 5                      | 2                 | Miniaturlager d6 15-b5           | Bearing Misumi B696ZZ                           |   |   |   |   |
| 6                      | 2                 | Gleitlager iglidur zylindrisch   | Friction bearing cylindrical   igus JSM 0405-08 |   |   |   |   |
| 7                      | 2                 | Scheibe 6,4 A2                   | Washer 6,4 A2   ISO 7090                        |   |   |   |   |
| 8                      | 2                 | Scheibe 3xd 4.3x12x1             | washer  |   |   |   |   |
| 9                      | 2                 | Koppel MA 2109                   | side coupler MA2109   drive unit                |   |   |   |   |
| 10                     | 2                 | Zylinderstift ASF 6/4x16         | Cylindrical pin with chamfer 6/4x16             |   |   |   |   |

**Montagehinweis:**

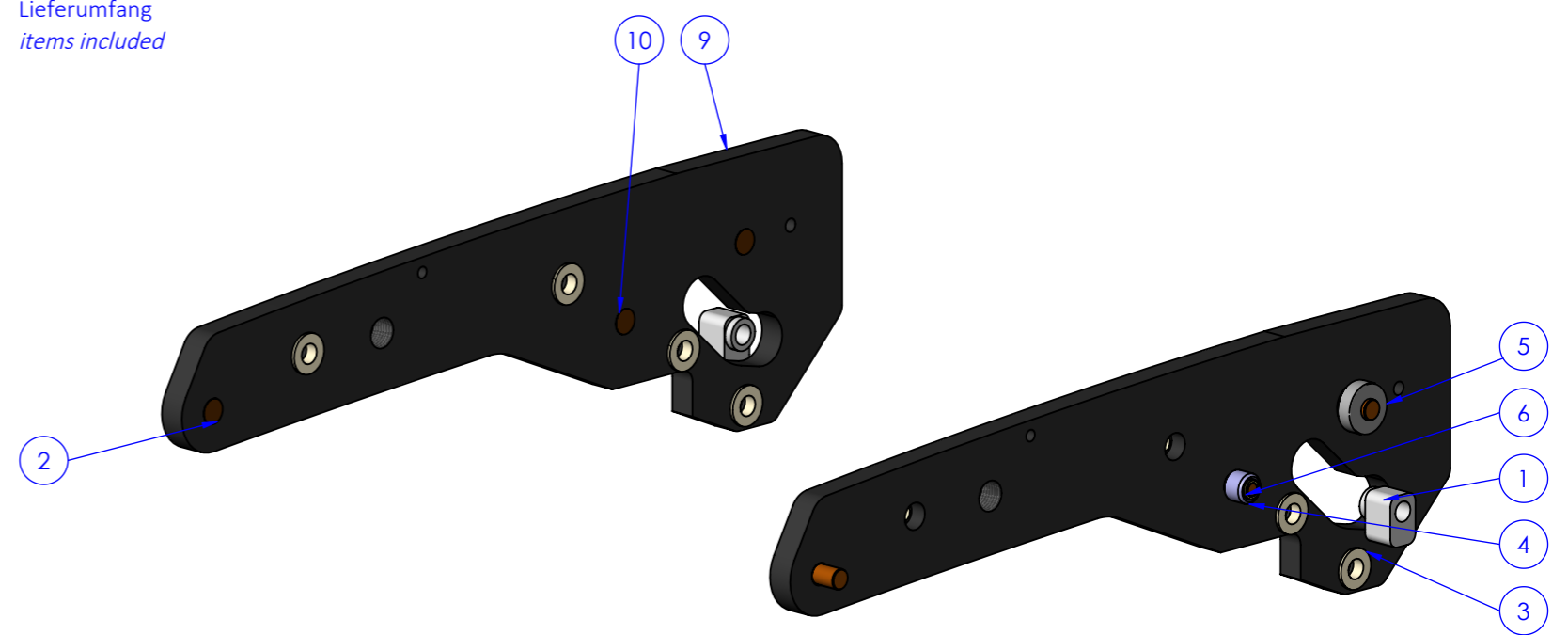
- (B1) demontieren
- (A1) lösen
- ATE öffnen
- (C1) entnehmen

**Instruction for assembly:**

- remove (B1)
- loosen (A1)
- open up drive unit
- remove (C1)



**Lieferumfang  
items included**



RoHS-3;6c

|  |  |        |             |
|--|--|--------|-------------|
| Maßstab/Scale: 1:5                     | Benennung/Designation:                       | Index: | Blatt/Sheet |
| gespeichert/saved: 03.03.2026 11:53:31 | ETK-KOP-MA2x09   Ersatzteilkit Koppel        | 1      | 1 von 1     |
| Montageanleitung/instruction sheet     | ETK-KOP-MA2x09   Spare part kit side coupler |        | DIN A3      |
|  | Artikel-Nr./PartNo.:<br><b>57710</b>         |        |             |