

Electric contact terminal EKT-M-065A-L-VPC-MP

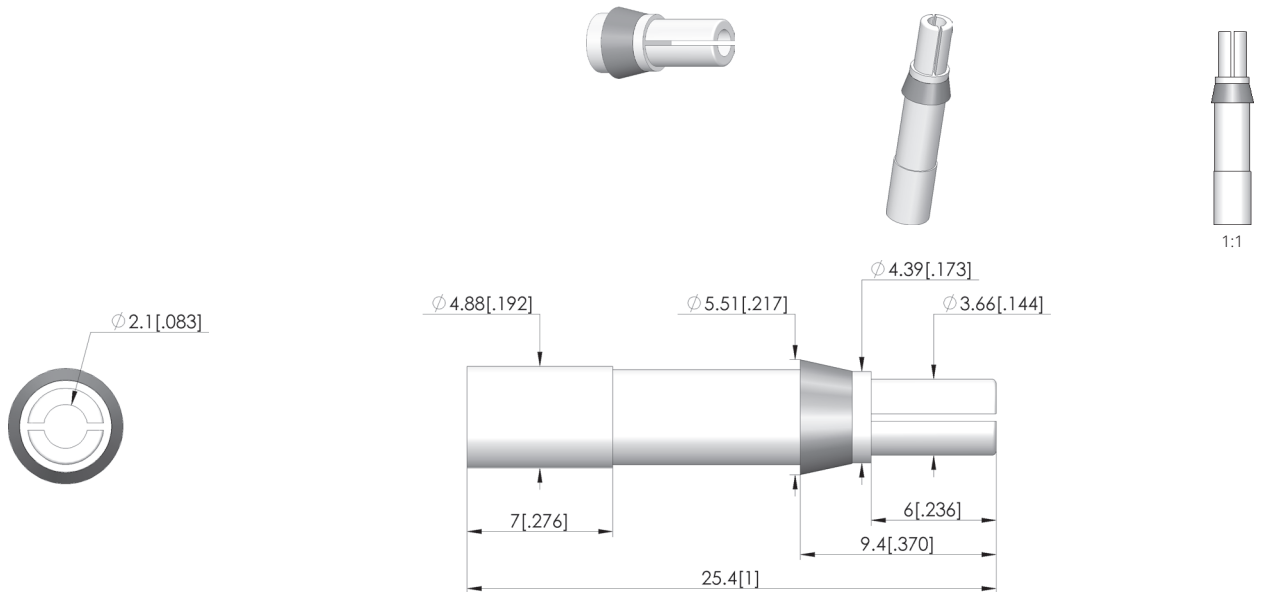
Item 22911



GO TO PRODUCT

ingun[®]

Partner for Future Technology



General data

Product group:
Series:
Type:
Version:
Accessory type:
Material:
Min. temperature:
Max. temperature:
RoHS-compliant:

Electric accessory
EKT
VPC Mini Power
ISA plug contact
Customising accessories
CuBe
-55 °C [-67 °F]
125 °C [257 °F]
Yes

Compatible with

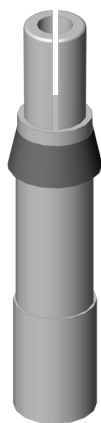
Accessories:

SSM-P-019-VPC-MP

Technical data

Connection:
Max. current:
Installation:
Max. voltage:
Contact resistance:
Length:
Diameter:

Solder connection, 8 AWG
65 A
Plugged
1500 VDC
1 mOhm
25.4 mm [1 in]
4.9 mm [.192 in]



INGUN Prüfmittelbau GmbH

Max-Stromeyer-Straße 162
78467, Constance, Germany
Phone +49 7531 8105-0
Customer hotline +49 7531 8105-888
Fax +49 7531 8105-65
info@ingun.com



Prices and delivery times on request.
Technical changes reserved. 04/26_GB