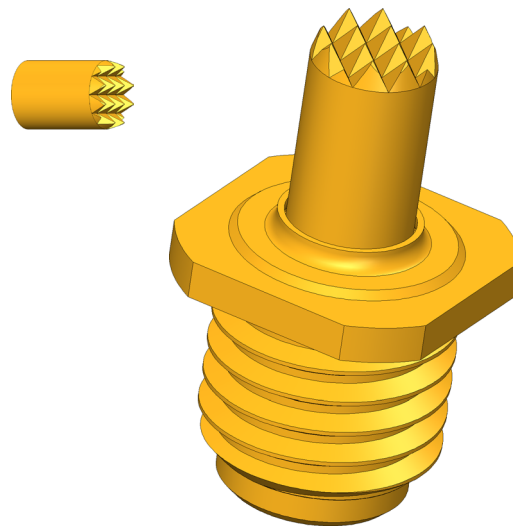


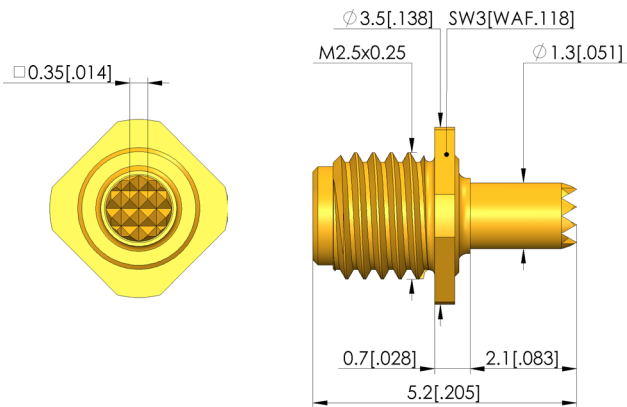


GO TO PRODUCT

- Short-stroke probes ensure a reliable signal and power supply, as well as a quick exchange of assemblies in case of maintenance
- For the construction of easily separable electronic interfaces, such as in charging trays for electronic devices
- Compensation of possible height and component tolerances
- Secure hold in the receptacle thanks to the threaded connection
- Stainless steel versions for temperatures from -100 °C up to +200 °C available



1:1



### General data

Screw-in torque max.:	5 cNm [.442 lbf-in]
Product group:	Screw-in test probe
Sub-product group:	Short stroke GKS / charge and transfer GKS
Series:	GKS-967 M screw-in
Grid:	4 mm [157 mil]
Contacting from:	Post
Magnetic:	Yes
Installation type:	Screw-in
Quick-exchange system:	Yes
Adjustable installation height:	No
Non-rotating:	No
Screw-in torque:	3 – 5 cNm [.265 – .442 lbf-in]
Compatible receptacle(s):	KS-967 M
Min. temperature:	-100 °C [-148 °F]
Max. temperature:	200 °C [392 °F]
RoHS-compliant:	Yes

### Tip style data

Tip style:	06 serrated
Tip diameter:	1.3 mm [.051 in]
Tip style surface:	A gold
Tip style material:	3 CuBe

### Electrical data

Current load capacity / rated current:	5 A
Typical resistance (Ri):	100 mOhm

### Mechanical data

Total length:	5.2 mm [.204 in]
Barrel diameter:	2.5 mm [.098 in]
Maximum stroke:	1.2 mm [.047 in]
Spring pre-load:	0.29 N [1.04 ozf]
Collar height:	01
Spring force at working stroke:	1 N [3.59 ozf]
Recommended working stroke:	1 mm [.039 in]

# Test Probe

## GKS-967 306 130 A 1001 MC

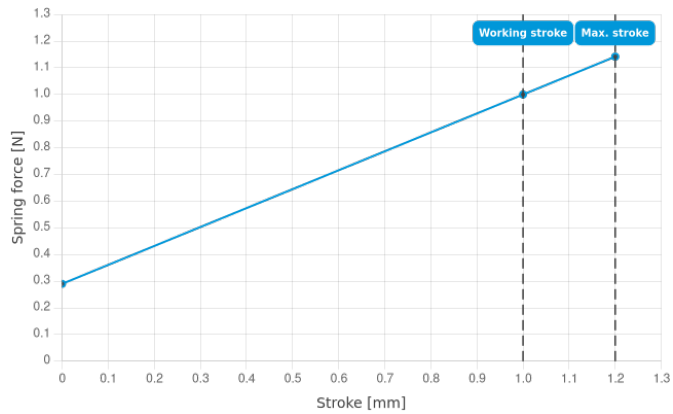
Item GKS-967-0105



GO TO PRODUCT

**ingun**<sup>®</sup>

Partner for Future Technology



### INGUN Prüfmittelbau GmbH

Max-Stromeyer-Straße 162  
78467, Constance, Germany  
Phone +49 7531 8105-0  
Customer hotline +49 7531 8105-888  
Fax +49 7531 8105-65  
info@ingun.com



Prices and delivery times on request.  
Technical changes reserved. 01/26\_GB

Learn more about  
Screw-in test probe



SCREW-IN TEST PROBE

ingun.com