

Interface block

SB-P-SO-020-IDC Buchse

Item 56694



GO TO PRODUCT

ingun[®]

Partner for Future Technology

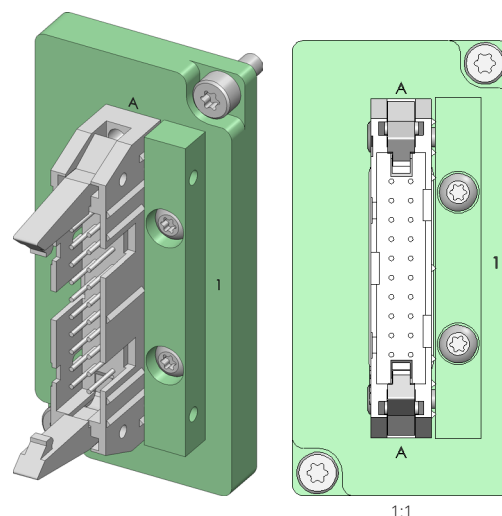
- Populated with 20-pole IDC plug connector STV-IDC2,54-M-020-WW-G-Q
- Can be used in test fixtures with Pylon interface for use on the test specimen side
- Reliable signal transmission within the scope of the specification

Application

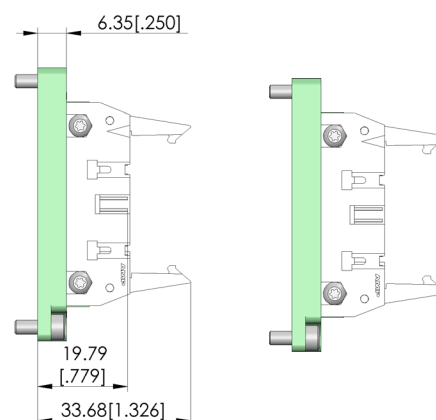
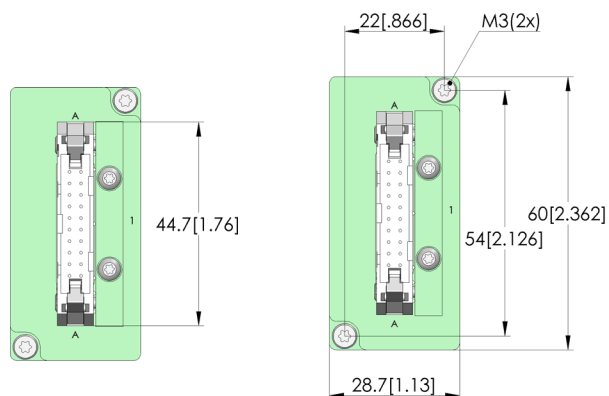
Interface blocks (SB) are used to reliably transmit signals between test device and test system in internal and external Pylon interfaces. Specialised blocks are suitable for the reliable transmission of signals within the scope of their specification. They are only available for use on the DUT side.

Delivery

The product is delivered fully assembled including the installation accessories.



1:1



General data

Product group:	Interface blocks (SB)
Series:	SB-SO
Type:	Specialised block
Version:	Device under test (DUT) side
Accessory type:	Customising accessories
Component assembly:	STV-IDC2,54-M-020-WW-G-Q
Weight:	0.027 kg [.059 lbs]
Min. temperature:	-20 °C [-4 °F]
Max. temperature:	100 °C [212 °F]
RoHS-compliant:	Yes

Compatible with

MA exchangeable kits (ATS MA): ATS MAxx

Technical data

Connection: IDC plug, 20-pole
 Number of poles: 1 (fixed position)

INGUN Prüfmittelbau GmbH

Max-Stromeyer-Straße 162
 78467, Constance, Germany
 Phone +49 7531 8105-0
 Customer hotline +49 7531 8105-888
 Fax +49 7531 8105-65
 info@ingun.com

