

OpensCheck Buffer OCH 02 + GKS OTC-DT-OC-EP-GKS

Item 54770



GO TO PRODUCT

ingun[®]

Partner for Future Technology

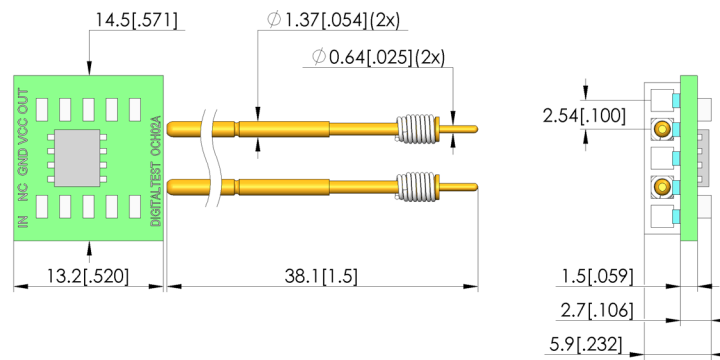
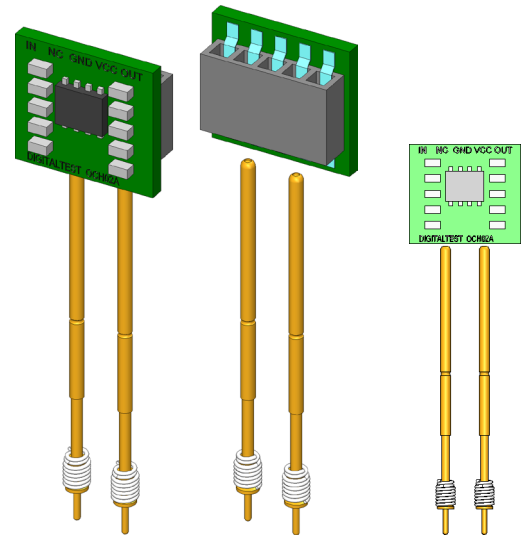
- Component for the Opens test, for capacitive testing of semiconductor chips for open circuits, short circuits and soldering faults
- Suitable for Digitaltest test systems

Application

The OpensCheck test probe is used for capacitive testing of integrated circuits to check the wire-bonded connections inside an integrated circuit for open circuits, short circuits and soldering faults.

Scope of delivery

Electronic plate and test probe GKS-925 T JA 1000-S.



General data

Product group:	Opens tests
Series:	OTC
Type:	Digitaltest opens test
Version:	Opens Check
Accessory type:	Customising accessories
Scope of delivery:	Electronic plate, GKS-925 TJA
Width:	13.2 mm [.519 in]
Height:	48.2 mm [1.89 in]
Weight:	0.01 kg [.022 lbs]
Min. temperature:	10 °C [50 °F]
Max. temperature:	60 °C [140 °F]
RoHS-compliant:	Yes

Compatible with

Vacuum test fixtures (VA):

VA xxxx/MTSxxx

Technical data

Stroke:	5 mm [.196 in]
Spring force:	1 N [3.59 ozf]
Length:	14.5 mm [.57 in]
Outer dimensionS (WxDxH):	13.2 x 14.5 x 48.2 mm [.519 x .57 x 1.89 in]

OpensCheck Buffer OCH 02 + GKS

OTC-DT-OC-EP-GKS

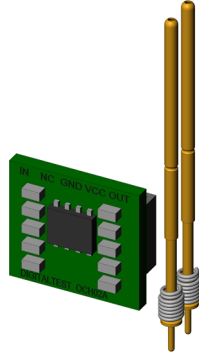
Item 54770



GO TO PRODUCT

ingun[®]

Partner for Future Technology



INGUN Prüfmittelbau GmbH

Max-Stromeyer-Straße 162
78467, Constance, Germany
Phone +49 7531 8105-0
Customer hotline +49 7531 8105-888
Fax +49 7531 8105-65
info@ingun.com



Prices and delivery times on request.
Technical changes reserved. 04/26_GB