

High-current test probe

HSS-2532

Item HSS-2532

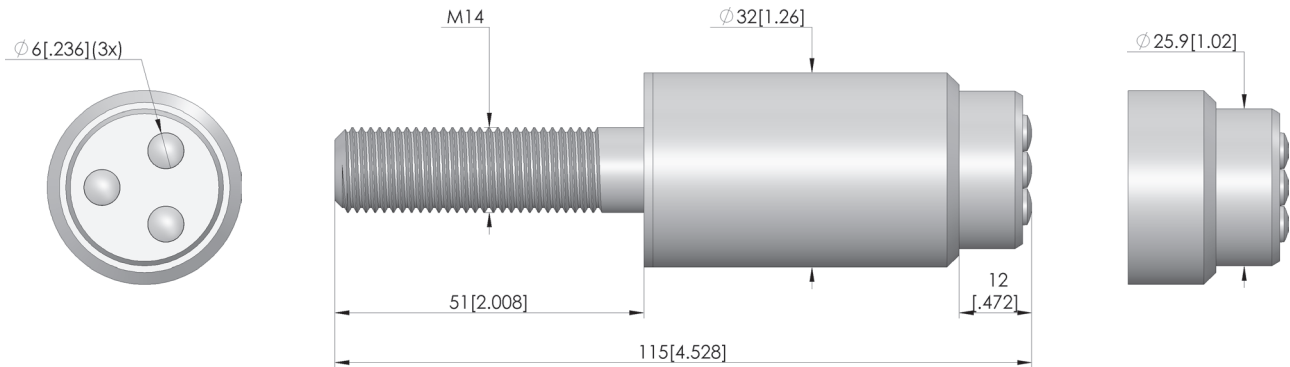
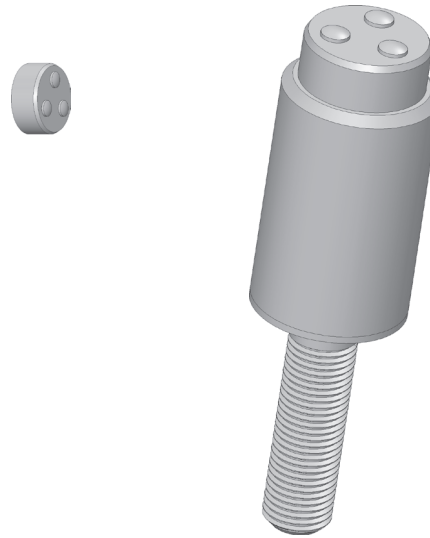


GO TO PRODUCT

ingun[®]

Partner for Future Technology

- Robust high current probes for harsh environmental conditions with side forces and vibrations
- Well-suited as permanent or removeable contact element in machinery construction, especially in combination with the available contact terminal
- High-current load capacity, the electrical connection is via a cable lug



General data

Product group:	High-current test probe
Sub-product group:	Robust HSS (probe / contact terminal)
Series:	HSS-2532
Grid:	35 mm [1,377 mil]
Contacting from:	Pad
Magnetic:	Yes
Installation type:	Plug-in
Quick-exchange system:	No
Type of test probe connection:	Thread connection
Adjustable installation height:	No
Non-rotating:	No
Min. temperature:	0 °C [32 °F]
Max. temperature:	80 °C [176 °F]
RoHS-compliant:	Yes

Tip style data

Tip style:	05 bullet-nosed (full radius)
Tip diameter:	25.9 mm [1.01 in]
Tip style surface:	S silver
Tip style material:	1 brass

Electrical data

Current load capacity / rated current:	400 A
Typical resistance (Ri):	1 mOhm

Mechanical data

Total length:	114 mm [4.48 in]
Barrel diameter:	32 mm [1.25 in]
Maximum stroke:	11 mm [.433 in]
Spring pre-load:	70 N [251 ozf]
Spring force at working stroke:	116 N [417 ozf]
Recommended working stroke:	7 mm [.275 in]

HIGH-CURRENT TEST PROBES

High-current test probe

HSS-2532

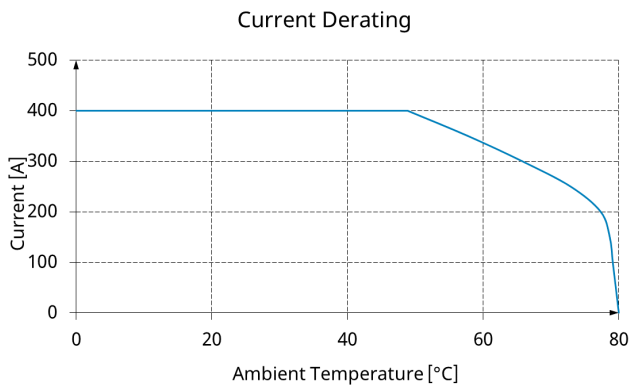
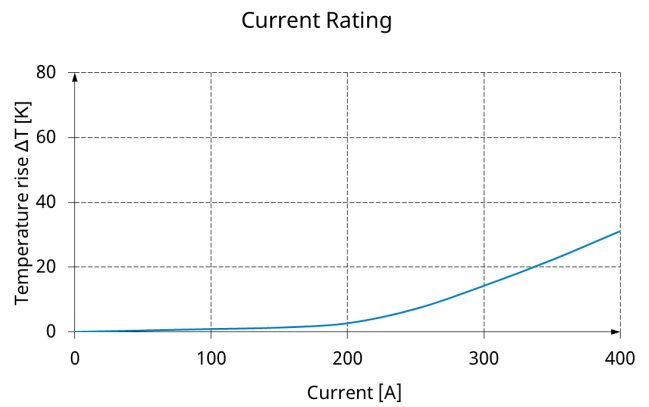
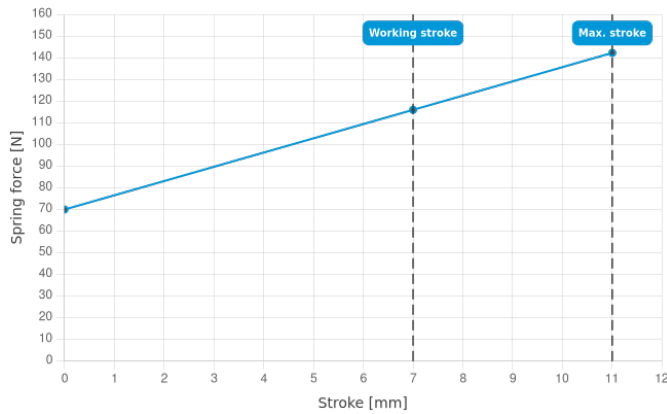
Item HSS-2532



GO TO PRODUCT

ingun[®]

Partner for Future Technology



INGUN Prüfmittelbau GmbH

Max-Stromeyer-Straße 162
78467, Constance, Germany
Phone +49 7531 8105-0
Customer hotline +49 7531 8105-888
Fax +49 7531 8105-65
info@ingun.com



Prices and delivery times on request.
Technical changes reserved. 03/26_GB

Learn more about
High-current test probes



ingun.com