

Battery contacting probe

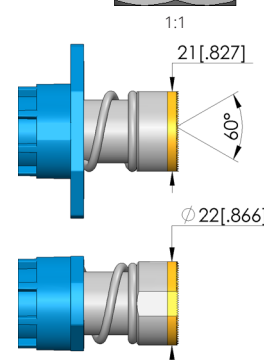
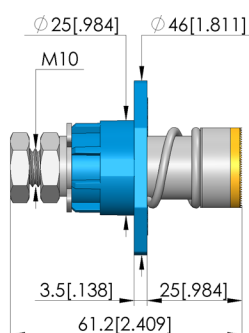
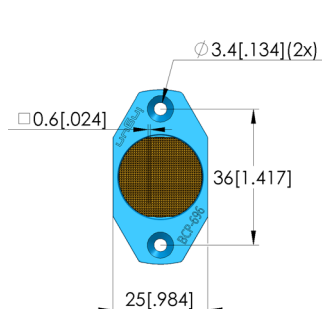
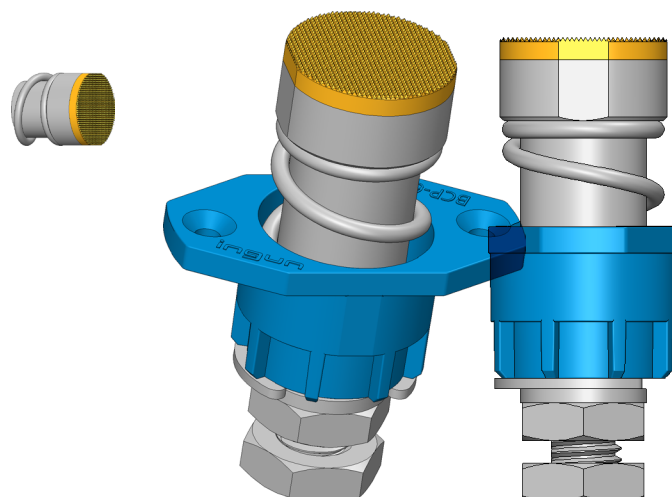
BCP-696 360 2200 A 110004-00

Item BCP-696-0005

GO TO PRODUCT

ingun[®]

Partner for Future Technology



General data

Product group:	Dipole BCP / 4-wire clamp
Sub-product group:	Dipole BCP / 4-wire clamp
Series:	BCP-696
Application rec.:	
Grid:	26 mm [1,023 mil]
DUT / contact:	
Magnetic:	Yes
Installation type:	Flange
Quick-exchange system:	No
Type of test probe connection:	Thread connection
Adjustable installation height:	No
Non-rotating:	Yes
Continuous plunger:	M 10 x 12,8
Min. temperature:	-40 °C [-40 °F]
Max. temperature:	80 °C [176 °F]
RoHS-compliant:	Yes

Electrical data

Current load capacity / rated current:	450 A
Rated current on copper @ΔT ≤ 20 K:	300 A
Rated current on copper @ΔT ≤ 60 K:	450 A
Rated current on aluminium @ΔT ≤ 20 K:	200 A
Rated current on aluminium @ΔT ≤ 60 K:	400 A
Typical resistance (Ri):	

Mechanical data

Total length:	61.2 mm [2.4 in]
Barrel diameter:	25 mm [0.984 in]
Maximum stroke:	10 mm [0.393 in]
Spring pre-load:	71 N [255 ozf]
Collar height:	04
Spring force at working stroke:	110 N [395 ozf]
Recommended working stroke:	5 mm [0.196 in]

Tip style data

Tip style:	60 serrated, small grid
Tip diameter:	22 mm [0.866 in]
Tip style surface:	A gold
Tip style material:	3 CuBe

Battery contacting probe

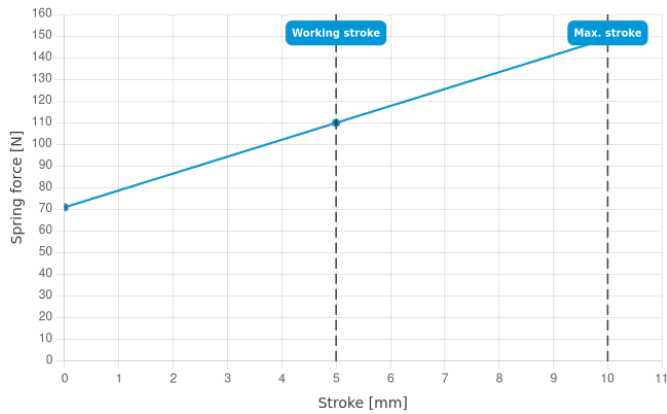
BCP-696 360 2200 A 110004-00

Item BCP-696-0005

[GO TO PRODUCT](#)

ingun[®]

Partner for Future Technology



[item.cross-selling.category.Kabelassembly](#)

Part no. EN	Designation	Tip version EN
SE-AWG08-0001	SE-AWG08-6-AN0001-130-AN0002-5	cable assembly

INGUN Prüfmittelbau GmbH

Max-Stromeyer-Straße 162
78467, Constance, Germany
Phone +49 7531 8105-0
Customer hotline +49 7531 8105-888
Fax +49 7531 8105-65
info@ingun.com



Prices and delivery times on request.
Technical changes reserved. 06/26_GB

Learn more about
Test probes

