

# High-Frequency Probe HFS-821 313 050A9905USBMINI-D

Item HFS-821-0030

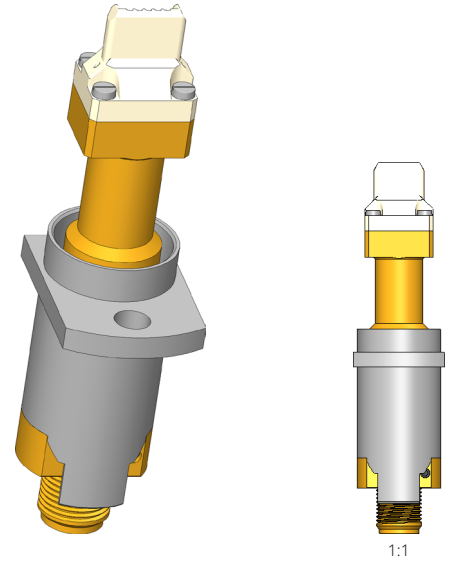
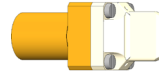


GO TO PRODUCT

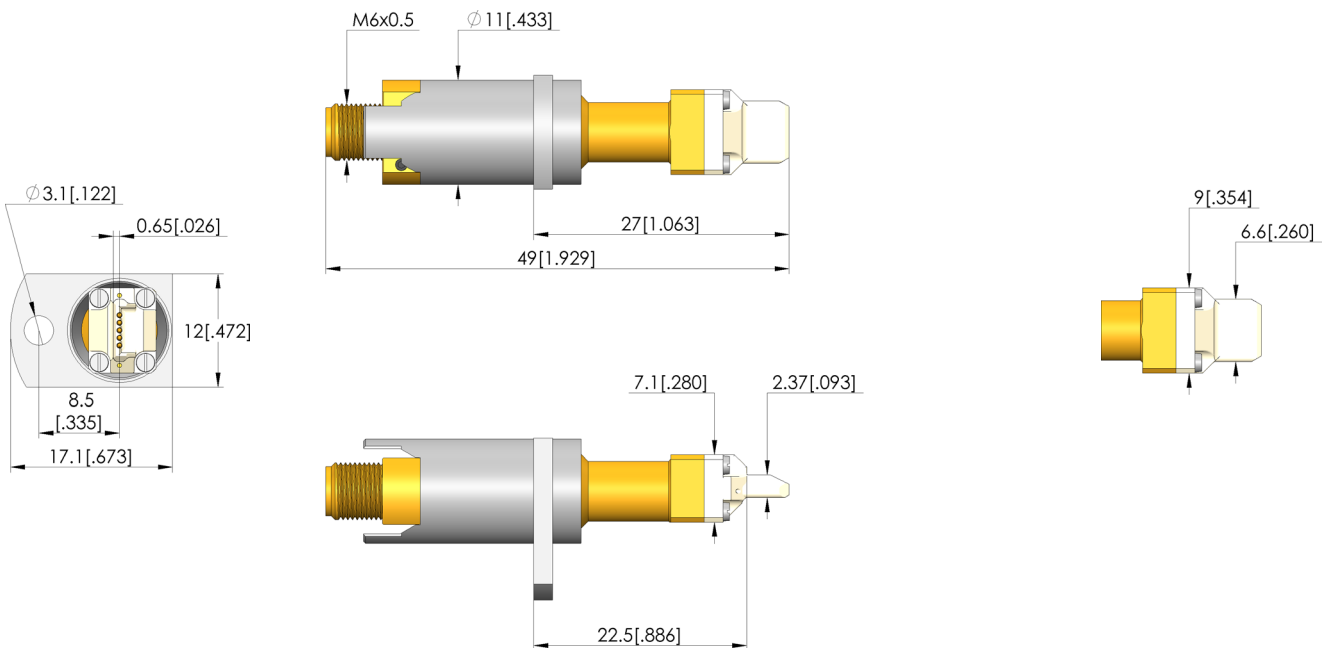
ingun®

Partner for Future Technology

- For contacting differential connectors from the MX and USCAR series in the automotive sector
- Connection via SE-821 cable interface
- Floating mechanism is integrated
- Installation via one-sided flange mounting



1:1



RADIO-FREQUENCY TEST PROBES

# High-Frequency Probe

## HFS-821 313 050A9905USBMINI-D

Item HFS-821-0030



GO TO PRODUCT

**ingun**<sup>®</sup>

Partner for Future Technology

### General data

Product group:	HFS radio-frequency test probes
Series:	HFS-821
Sub-series:	HFS-821
Grid:	12.5 mm [492 mil]
DUT / contact:	USB mini Type B/AB; HS autolink 1
Installation type:	Flange
DUT interface gender :	F signal conductor female / socket
Floating mount:	Yes
Non-rotating:	Yes
Continuous plunger:	Yes
Interface of compatible assembly:	SE-821 USB-mini plug, 5-pole,
screw-in, for HFS-821/USB-mini	
Compatible assembly interface gender :	M signal conductor male / pin
Recommended torque at interface:	10 cNm [.885 lbf-in]
Min. temperature:	-40 °C [-40 °F]
Max. temperature:	80 °C [176 °F]
RoHS-compliant:	Yes

### Outer conductor data

Outer conductor tip style:	05 bullet-nosed (full radius)
Outer conductor tip style diameter:	9 mm [.354 in]
Spring force of entire outer conductor at working stroke:	10 N [35.9 ozf]
Outer conductor working stroke:	3.5 mm [.137 in]
Outer conductor maximum stroke:	5 mm [.196 in]
Exchangeable outer conductor:	No

### Inner conductor data

Inner conductor tip style:	13 30° needle tip, rounded
Inner conductor tip style diameter:	0.5 mm [.019 in]
Inner conductor tip style material:	3 CuBe
Inner conductor tip style surface:	A gold
Number of inner conductors:	5
Exchangeable inner conductor:	No
Inner conductor working stroke:	0 mm [0 in]
Inner conductor maximum stroke:	0 mm [0 in]
Inner conductor max. current load capacity:	3 A

### Electrical data

Impedance:	100 Ohm
------------	---------

### Mechanical data

Total spring force at working stroke:	10 N [35.9 ozf]
Total length:	49 mm [1.92 in]
Barrel diameter:	11 mm [.433 in]
Installation height without receptacle:	27 mm [1.06 in]

### INGUN Prüfmittelbau GmbH

Max-Stromeyer-Straße 162  
78467, Constance, Germany  
Phone +49 7531 8105-0  
Customer hotline +49 7531 8105-888  
Fax +49 7531 8105-65  
info@ingun.com



Prices and delivery times on request.  
Technical changes reserved. 04/26\_GB

Learn more about  
Radio-frequency test probes



ingun.com