

# Interface block

## SB-T-HF-016-0,7GHz-02

Item 38124



GO TO PRODUCT

ingun®

Partner for Future Technology

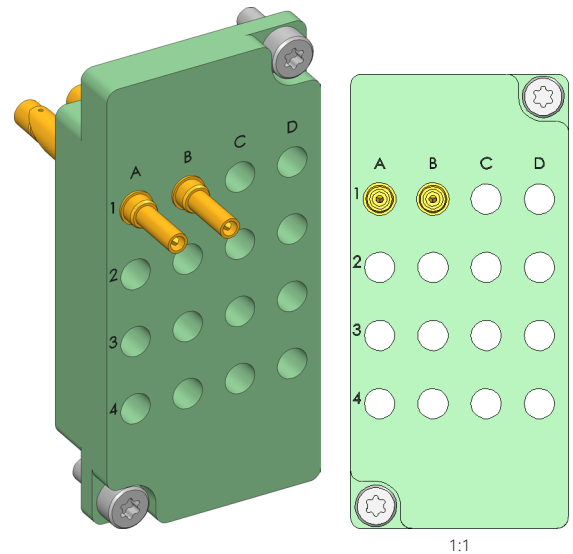
- Equipped with INGUN test probes
- Suitable for test fixtures with internal or external Pylon interface
- Consistently low contact resistances and replicable measured values
- High contact reliability and transmission quality
- Reliable transmission of radio-frequency signals within the scope of the specification

### Application

Interface blocks (SB) are used to reliably transmit signals between test device and test system in internal and external Pylon interfaces. Radio-frequency blocks are suitable for the reliable transmission of frequencies within the scope of their specification.

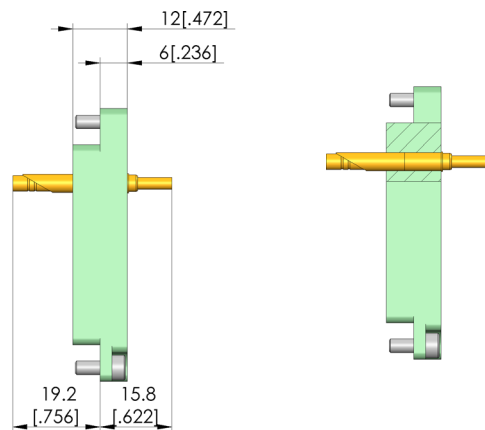
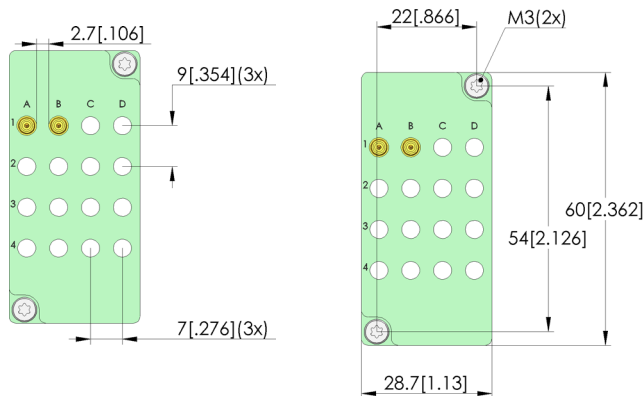
### Signal transmission

The signal is transmitted via two opposing interface blocks, which are designed for a working distance of  $15.1 \pm 0.5$  mm between their mounting surfaces.



### Delivery

The product is delivered partially assembled in the specified position, including assembly material.



### General data

Product group:	Interface blocks (SB)
Series:	SB-HF
Type:	Radio-frequency block
Version:	Test system side
Accessory type:	Customising accessories
Component assembly:	HFS-110-0042 & KS-11023
Weight:	0.032 kg [.07 lbs]
Min. temperature:	-30 °C [-22 °F]
Max. temperature:	80 °C [176 °F]
RoHS-compliant:	Yes

### Compatible with

Compatible mating part 1:	SB-P-HF-016-0,7GHz-02
Manual test fixtures (MA):	MA 21xx
Pylon receiver:	RC-PYLON-12-V2

### Technical data

Working distance:	15,1 +/- 0,5 mm
Connection:	SE-RG178-0005
GKS working stroke :	4 mm [.157 in]
Spring force:	6 N [21.5 ozf]
Frequency up to:	.7 GHz

### Electrical data

Impedance:	50 Ohm
------------	--------

### INGUN Prüfmittelbau GmbH

Max-Stromeyer-Straße 162  
78467, Constance, Germany  
Phone +49 7531 8105-0  
Customer hotline +49 7531 8105-888  
Fax +49 7531 8105-65  
info@ingun.com



Prices and delivery times on request.  
Technical changes reserved. 03/26\_GB