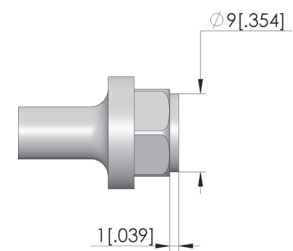
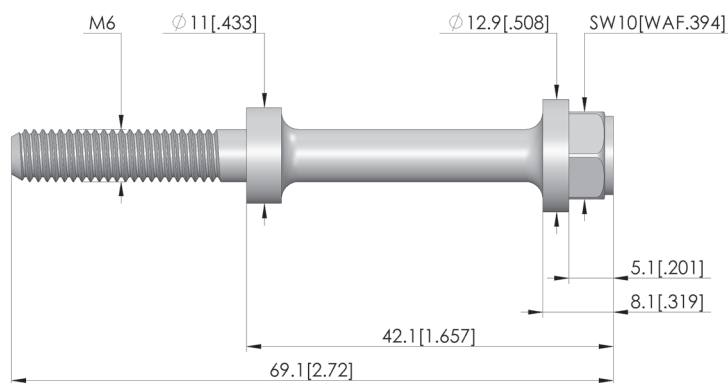


1:1



General data

Product group:
Series:
Sub-series:
Grid:
Type of contact terminal connection:
Installation height:
Installation type:
Quick-exchange system:
Surface area:
Material:
Knurl:
RoHS-compliant:

Contact terminals (KT)
KT-2513
KT-2513
14 mm [551 mil]
Thread connection
42 mm [1.65 in]
Screw-in
No
S silver
1 brass
No
Yes

Tip style data

Tip style: 02 flat
Tip diameter: 9 mm [.354 in]

Mechanical data

Total length: 69.1 mm [2.72 in]
Shaft diameter: 12.9 mm [.507 in]
Latching lug: No

Mounting hole

Mounting hole in CEM1: 6.1 – 6.5 mm [.24 – .255 in]
Mounting hole in FR4: 6.1 – 6.5 mm [.24 – .255 in]

INGUN Prüfmittelbau GmbH

Max-Stromeyer-Straße 162
78467, Constance, Germany
Phone +49 7531 8105-0
Customer hotline +49 7531 8105-888
Fax +49 7531 8105-65
info@ingun.com



Learn more about
Test probes

