

# Insertion and Extraction Tool

## SW-ZW-WP-050 A

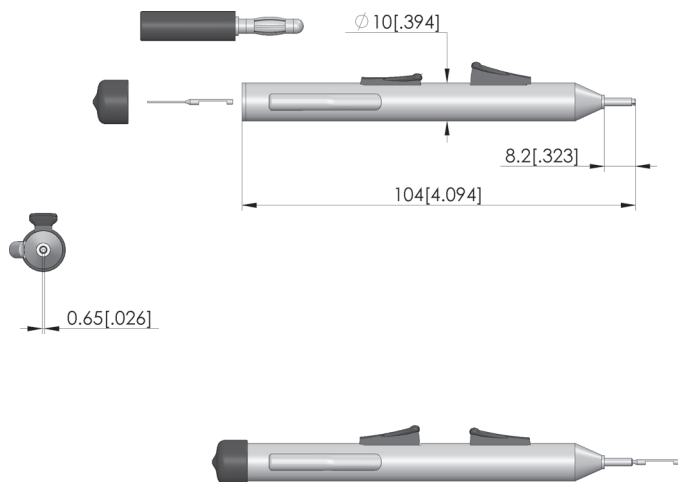
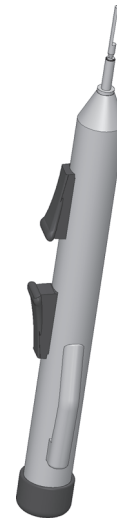
Item SW-ZW-WP-050A



GO TO PRODUCT

**ingun**<sup>®</sup>

Partner for Future Technology



### General data

Product group:	Insertion and extraction tools (SW-ZW)
Compatible test probe(s) / receptacle(s):	GKS-050
Series:	SW-GKS
Tool for receptacle (KS):	No
Tool for test probe (GKS):	Yes
Test probe installation type:	Plug-in
Min. tip diameter:	0 mm [0 in]
Max. tip diameter:	0.9 mm [.035 in]
Tool version:	Rigid
RoHS-compliant:	Yes

### INGUN Prüfmittelbau GmbH

Max-Stromeyer-Straße 162  
78467, Constance, Germany  
Phone +49 7531 8105-0  
Customer hotline +49 7531 8105-888  
Fax +49 7531 8105-65  
info@ingun.com



Prices and delivery times on request.  
Technical changes reserved. 02/26\_GB

Learn more about  
Tool



ingun.com

TOOL