

Attenuator

HFS-ADA-MCX-M-MCX-F-03DB

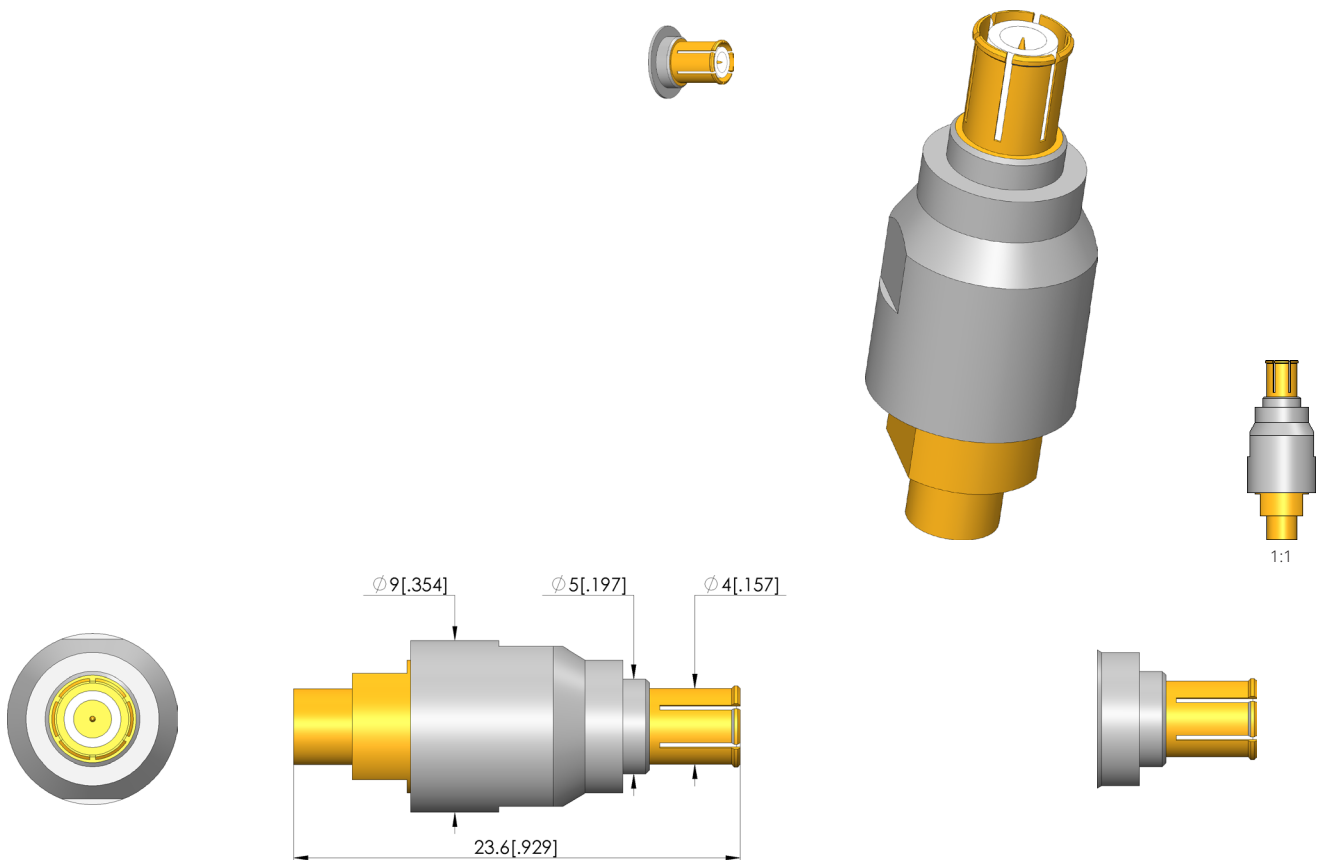
Item HFS-ADA-0001



GO TO PRODUCT

ingun[®]

Partner for Future Technology



General data

Product group:
Series:
Sub-series:
Min. temperature:
Max. temperature:
RoHS-compliant:

Attenuator (HFS-ADA)
RF ADA fixture
RF ADA fixture DB inline attenuator
-55 °C [-67 °F]
125 °C [257 °F]
Yes

Electrical data

Maximum frequency:
Impedance:
Maximum performance:

6 GHz
50 Ohm
2 W

Cable data

Attenuation Fmax:

3 dB

Connector data

Interface 1:
Interface gender 1:
Version 1:
Interface 2:
Interface gender 2:
Version 2:

MCX
M signal conductor male / plug
Straight
MCX
F signal conductor female / socket
Straight

INGUN Prüfmittelbau GmbH

Max-Stromeyer-Straße 162
78467, Constance, Germany
Phone +49 7531 8105-0
Customer hotline +49 7531 8105-888
Fax +49 7531 8105-65
info@ingun.com



Prices and delivery times on request.
Technical changes reserved. 04/26_GB

Learn more about
Test probes

