

High-Current Clip Flat Pin

HKF-617 06315 080 A 10002

Item HKF-617-0012



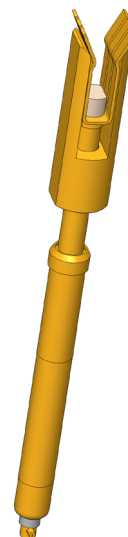
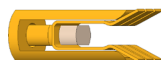
GO TO PRODUCT

ingun[®]

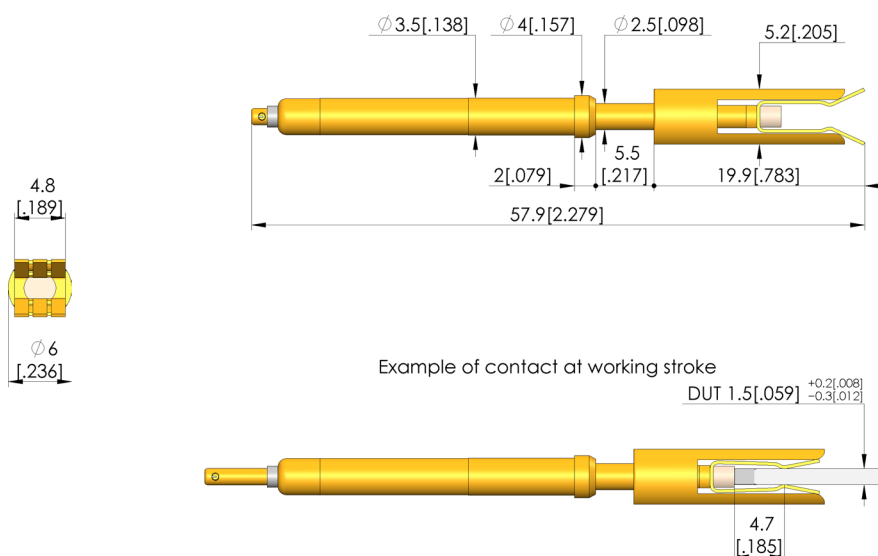
Partner for Future Technology

- Scratch-free contacting of flat contacts with compact design
- During the contacting process the contact lamellae are pressed against the flat connector blades without scratching.
- Current carrying capacity up to max. 40 A, depending on version

PATENT PENDING UTILITY MODEL



1:1



General data

Product group:
Sub-product group:
Series:
Grid:
Contacting from:
Magnetic:
Installation type:
Quick-exchange system:
Adjustable installation height:
Non-rotating:
Compatible receptacle(s):
Min. temperature:
Max. temperature:
RoHS-compliant:

Clamp contact, flat, high-current
Clamp contact, flat, high-current
HKF-617
6.5 mm [255 mil]
Flat contact
Yes
Bayonet
Yes
No
Yes
KS-617
-100 °C [-148 °F]
150 °C [302 °F]
Yes

Tip style data

Tip style:
Tip diameter:
Tip style surface:
Tip style material:

00-1 open, slotted
6 mm [.236 in]
A gold
6 bronze

Electrical data

Current load capacity / rated current:
Typical resistance (Ri):

40 A
10 mOhm

Mechanical data

Total length:
Barrel diameter:
Maximum stroke:
Spring pre-load:
Collar height:
Spring force at working stroke:
Recommended working stroke:

57.9 mm [2.27 in]
3.5 mm [.137 in]
5.5 mm [.216 in]
6.11 N [21.9 ozf]
02
10 N [35.9 ozf]
4.4 mm [.173 in]

HIGH-CURRENT TEST PROBES

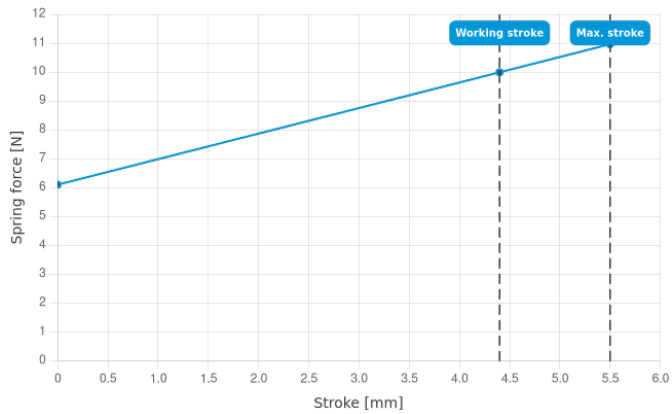
High-Current Clip Flat Pin HKF-617 06315 080 A 10002

Item HKF-617-0012



ingun[®]

Partner for Future Technology



INGUN Prüfmittelbau GmbH

Max-Stromeyer-Straße 162
78467, Constance, Germany
Phone +49 7531 8105-0
Customer hotline +49 7531 8105-888
Fax +49 7531 8105-65
info@ingun.com



Prices and delivery times on request.
Technical changes reserved. 05/26_GB

Learn more about
High-current test probes



HIGH-CURRENT TEST PROBES

ingun.com