

Crimp contact

EKT-CK-0,64-C-AWG26

Item 115204



GO TO PRODUCT

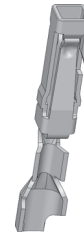
ingun[®]

Partner for Future Technology

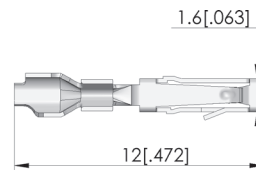
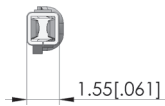
- Crimp connection with internal stop and contact blade which ensures secure clamping with high retention force

Application

The crimp connection is used to create a safe, reliable electrical connection between the conductor and the contact.



1:1



General data

Product group:	Electric accessory
Series:	EKT
Type:	Crimp connection
Version:	Spring clamp, inner stop
Accessory type:	Customising accessories
Scope of delivery:	Unpopulated, without stranded wire
Material:	Copper, tin-plated
Min. temperature:	-65 °C [-85 °F]
Max. temperature:	125 °C [257 °F]
RoHS-compliant:	Yes

Electrical data

Typical resistance (Ri) of one GKS: 2 mOhm

Compatible with

Accessories: STV-BL17-F-C

Technical data

Connection:	Crimp connection AWG26 - AWG22
Force:	2 N [7.19 ozf]
Max. current:	3.6 A
Max. voltage:	250 V

Crimp contact

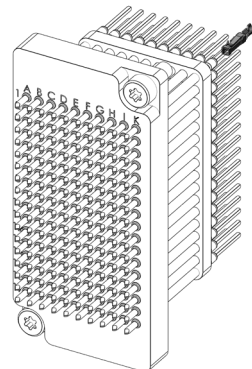
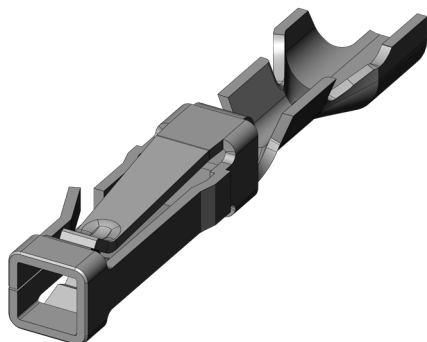
EKT-CK-0,64-C-AWG26

Item 115204



ingun[®]

Partner for Future Technology



Accessories

Part no.	Designation	Version	Assembly
Stranded cable			
43373	SLL-CK-AWG26-SW-700	AWG26, 700 mm long, black	1x crimp contact
43374	SLL-CK-AWG26-GE-700	AWG26, 700 mm long, yellow	1x crimp contact
43375	SLL-CK-AWG26-RT-700	AWG26, 700 mm long, red	1x crimp contact
43376	SLL-CK-AWG26-GN-700	AWG26, 700 mm long, green	1x crimp contact

INGUN Prüfmittelbau GmbH

Max-Stromeyer-Straße 162
78467, Constance, Germany
Phone +49 7531 8105-0
Customer hotline +49 7531 8105-888
Fax +49 7531 8105-65
info@ingun.com



Prices and delivery times on request.
Technical changes reserved. 04/26_GB