

RF transfer

HF-U-D-8,5-QS4

Item 43665



GO TO PRODUCT

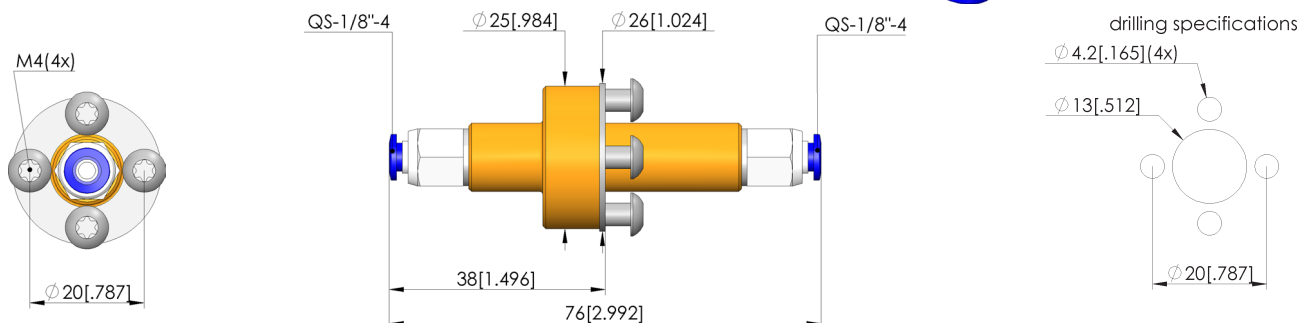
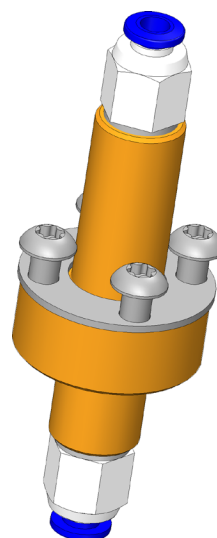
ingun[®]

Partner for Future Technology

- EMC-compliant radio-frequency transfers for connecting highly sensitive PCBs to the measuring system, from and into the shielding area
- Reliable routing of cables into the shielding area

Application

Using the radio frequency transfer, compressed air lines can be laid in the radio frequency chamber without negatively affecting the shielding attenuation below 8 GHz.



General data

Product group:
Series:
Type:
Version:
Accessory type:
Scope of delivery:
Weight:
Min. temperature:
Max. temperature:
RoHS-compliant:

RF accessories
HF-U
RF transfer
EMC version
Customising accessories
Unassembled
0.02 kg [0.044 lbs]
10 °C [50 °F]
60 °C [140 °F]
Yes

Compatible with

Exchangeable kits version:
MA exchangeable kits (ATS MA):

HF
ATS MAxx/HF/AL/ESD

Technical data

Connection:
Number of poles:
Frequency up to:
Length:
Diameter:

QS-1/8-4
1
8 GHz
76 mm [2.99 in]
26 mm [1.02 in]

RF transfer

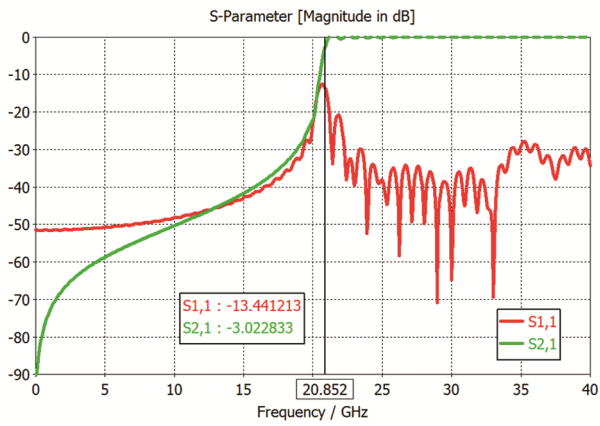
HF-U-D-8,5-QS4

Item 43665



ingun®

Partner for Future Technology



INGUN Prüfmittelbau GmbH

Max-Stromeyer-Straße 162
78467, Constance, Germany
Phone +49 7531 8105-0
Customer hotline +49 7531 8105-888
Fax +49 7531 8105-65
info@ingun.com



Prices and delivery times on request.
Technical changes reserved. 11/25_GB