

Battery contacting multi-head

BCM-667-0000 C01-00-00

Item BCM-667-0003



GO TO PRODUCT

ingun®

Partner for Future Technology

- Reliable contact of battery cells
- Modular design enables scalability of current transmission using well-established INGUN products
- Voltage monitoring via a central sense contact probe possible
- Temperature measurement of contact surface using TKS-667 is possible
- Easy installation in plate or busbar via the threaded connection

Application

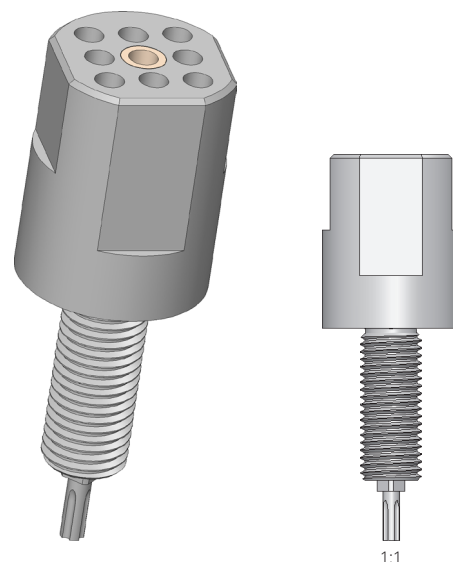
BCM-Series is specially developed for the flexible scalability of high-current contacting. The modular design makes it possible to adapt the product characteristics to the application, and therefore always provide the right product for a high variable range of DUTs, as is the case with the contacting of battery cells.

Construction

HCM-Products each consist of a base body and several high-current test probes which create a parallel circuit. The functionality can be additionally extended using a centrally positioned sense contact probe or temperature measurement probe with integrated sense tap.

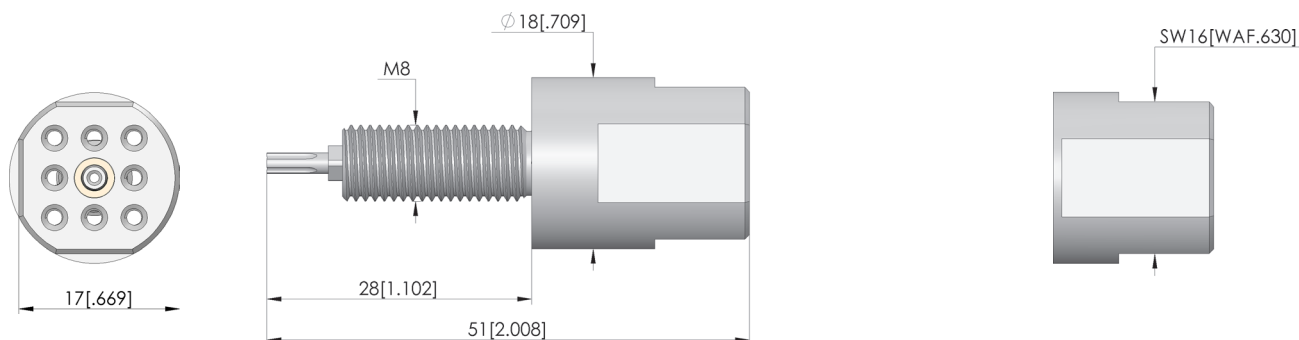
Installation

BCM Products can be installed in a corresponding hole on a probe plate using lock nuts or installed directly in a busbar via a corresponding threaded hole. If a BCM Product is installed in a non-conductive plate, for example, the current connection can be made at the threaded bolt via a cable lug. The optional sense contact probe, to be connected to the soldering recess provided, and the temperature sensor are dissipated centrally.



Note:

The base bodies are designed for either five or eight current-transmitting test probes from the BCP-120, BCP-113 and BCP-667 series with various tip styles, which can be freely configured in terms of both quantity and layout. By combining the modular high-current multi-head solution with BCP-667 probes, which were specifically developed for contacting battery cells with oxidised contact surfaces, it is possible to greatly reduce the power losses that occur during cell production.



HIGH-CURRENT TEST PROBES

Battery contacting multi-head

BCM-667-0000 C01-00-00

Item BCM-667-0003



GO TO PRODUCT

ingun®

Partner for Future Technology

General data

Screw-in torque max.:	100 cNm [8.85 lbf-in]
Product group:	Standard HSS (screw-in)
Sub-product group:	Standard HSS (screw-in)
Series:	
Application rec.:	
Grid:	19 mm [748 mil]
Magnetic:	Yes
Installation type:	Screw-in
Quick-exchange system:	No
Type of test probe connection:	Thread connection
Adjustable installation height:	No
Non-rotating:	Yes
Screw-in torque:	100 cNm [8.85 lbf-in]
Min. temperature:	-100 °C [-148 °F]
Max. temperature:	200 °C [392 °F]
RoHS-compliant:	Yes

Tip style data

Tip style surface:	A gold
--------------------	--------

Electrical data

Typical resistance (Ri), connection on plunger:	1 mOhm
---	--------

Mechanical data

Total length:	51 mm [2 in]
Barrel diameter:	18 mm [.708 in]

INGUN Prüfmittelbau GmbH

Max-Stromeyer-Straße 162
78467, Constance, Germany
Phone +49 7531 8105-0
Customer hotline +49 7531 8105-888
Fax +49 7531 8105-65
info@ingun.com



Prices and delivery times on request.
Technical changes reserved. 06/26_GB

Learn more about
High-current test probes



ingun.com