

Contact Terminal KT-586 102 400 R

Item KT-586102400R

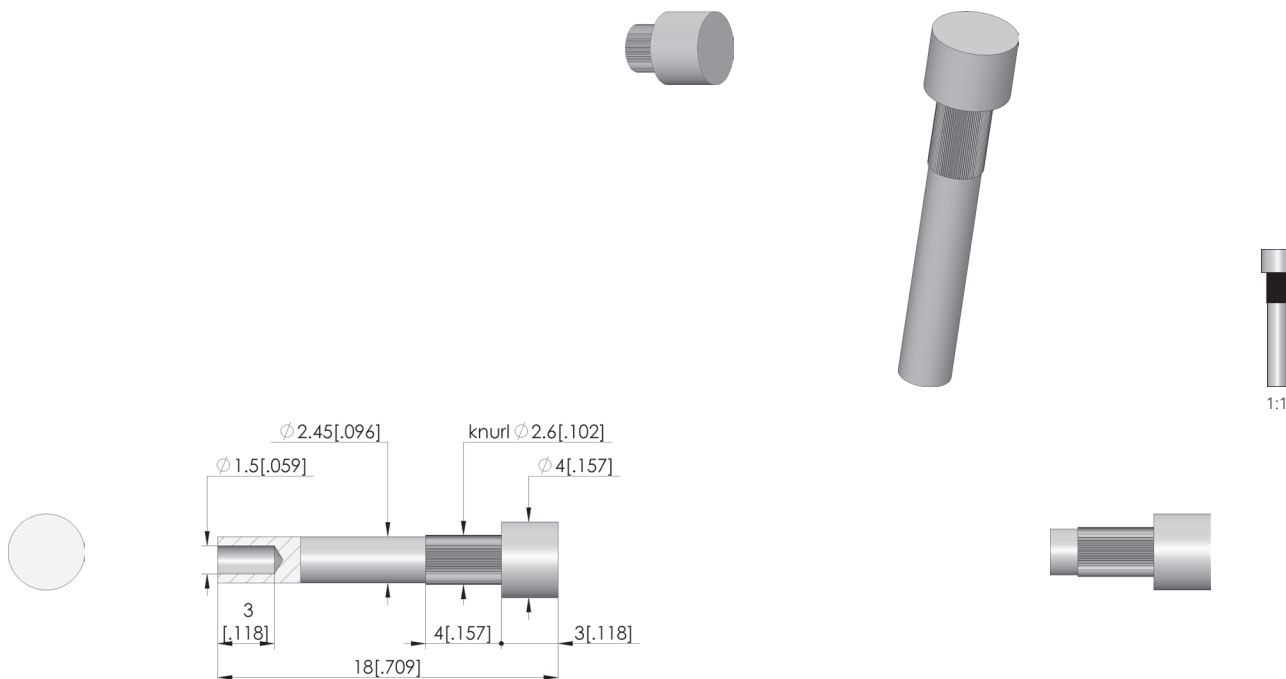


GO TO PRODUCT

ingun[®]

Partner for Future Technology

INGUN SELECTION



General data

Product group:
Series:
Sub-series:
Grid:
Type of contact terminal connection:
Installation height:
Installation type:
Quick-exchange system:
Surface area:
Material:
Knurl:
RoHS-compliant:

Contact terminals (KT)
KT-586
KT-586
4.5 mm [177 mil]
Solder connection
3 mm [.118 in]
Press-in
No
R rhodium
1 brass
Yes
Yes

Tip style data

Tip style: 02 flat
Tip diameter: 4 mm [.157 in]

Mechanical data

Collar height: 03
Total length: 18 mm [.708 in]
Shaft diameter: 2.45 mm [.096 in]
Latching lug: No

Mounting hole

Mounting hole in CEM1: 2.55 - 2.57 mm [.1 - .101 in]
Mounting hole in FR4: 2.55 - 2.57 mm [.1 - .101 in]

INGUN Prüfmittelbau GmbH

Max-Stromeyer-Straße 162
78467, Constance, Germany
Phone +49 7531 8105-0
Customer hotline +49 7531 8105-888
Fax +49 7531 8105-65
info@ingun.com



Prices and delivery times on request.
Technical changes reserved. 03/26_GB

Learn more about
Test probes



ingun.com