

Escan Captor20 + Probe20

OTU-SP-ES-028-028-L300

Item 32630



GO TO PRODUCT

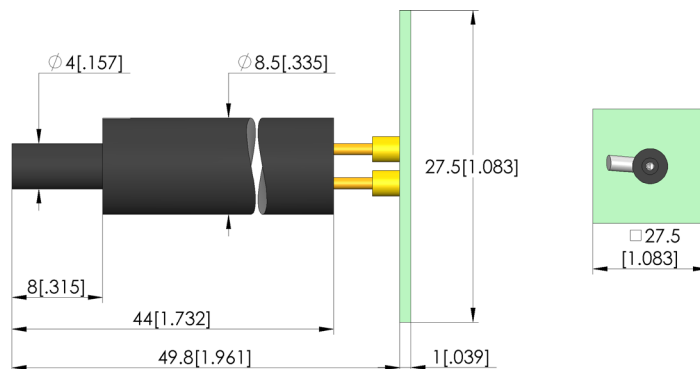
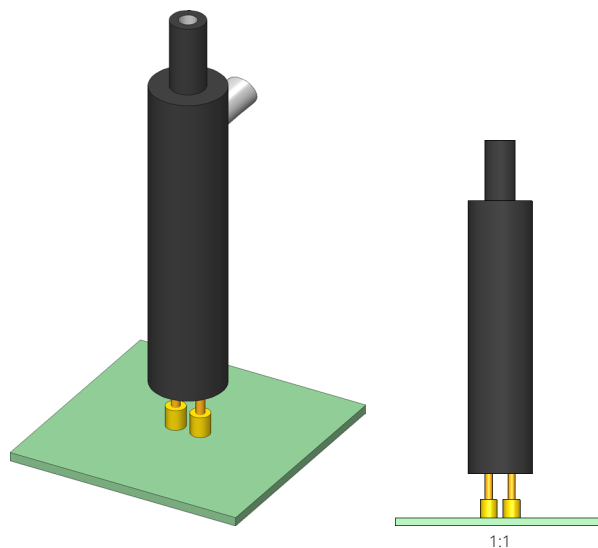
ingun[®]

Partner for Future Technology

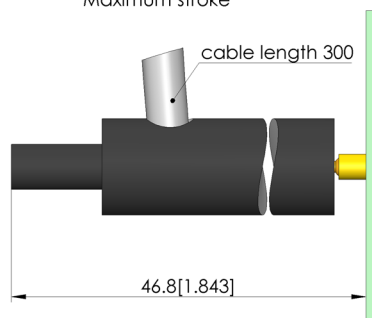
- Component for the Opens test, for capacitive testing of semiconductor chips for open circuits, short circuits and soldering faults
- Suitable for SPEA test systems

Application

The OpenPin Check probe unit is used for capacitive testing of integrated circuits to check the wire-bonded connections inside an integrated circuit for open circuits, short circuits and soldering faults.



Maximum stroke



General data

Product group:	Opens tests
Series:	OTU
Type:	SPEA opens test
Version:	Open Pin check probe unit
Accessory type:	Customising accessories
Scope of delivery:	Escan Probe20, Escan Captor20
Width:	27.5 mm [1.08 in]
Height:	50.8 mm [2 in]
Weight:	0.01 kg [.022 lbs]
Min. temperature:	10 °C [50 °F]
Max. temperature:	60 °C [140 °F]
RoHS-compliant:	Yes

Compatible with

Interchangeable kits (WS):

WS SPEA

Technical data

Stroke:	4 mm [.157 in]
Installation:	Thread M2.5
Length:	27.5 mm [1.08 in]
Diameter:	8.5 mm [.334 in]
Pin diameter:	4 mm [.157 in]
Cable length:	300 mm [11.8 in]
Outer dimensionS (WxDxH):	27.5 x 27.5 x 50.8 mm [1.08 x 1.08 x 2 in]

Escan Captor20 + Probe20

OTU-SP-ES-028-028-L300

Item 32630



ingun[®]

Partner for Future Technology



INGUN Prüfmittelbau GmbH

Max-Stromeyer-Straße 162
78467, Constance, Germany
Phone +49 7531 8105-0
Customer hotline +49 7531 8105-888
Fax +49 7531 8105-65
info@ingun.com



Prices and delivery times on request.
Technical changes reserved. 03/26_GB