

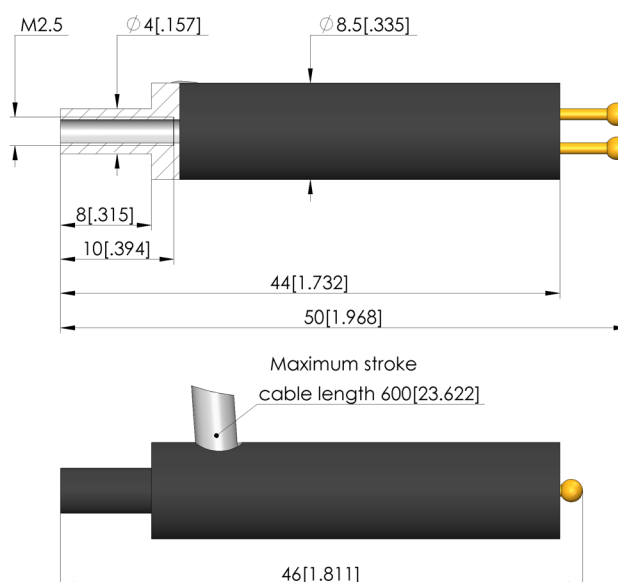
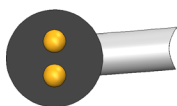
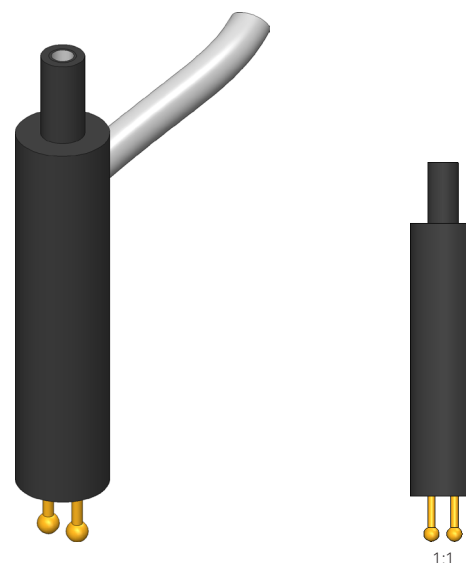


GO TO PRODUCT

- Component for the Opens test, for capacitive testing of semiconductor chips for open circuits, short circuits and soldering faults
- Suitable for SPEA test systems

Application

The OpenPin Check test probe is used for capacitive testing of integrated circuits to check the wire-bonded connections inside an integrated circuit for open circuits, short circuits and soldering faults.



General data

Product group:
Series:
Type:
Version:
Accessory type:
Scope of delivery:
Height:
Weight:
Min. temperature:
Max. temperature:
RoHS-compliant:

Opens tests
OTC
SPEA opens test
Open Pin check
Customising accessories
Escan-probe-40
50 mm [1.96 in]
0.01 kg [.022 lbs]
10 °C [50 °F]
60 °C [140 °F]
Yes

Compatible with

Interchangeable kits (WS):

WS SPEA

Technical data

Stroke: 4 mm [.157 in]
Installation: Thread M2.5
Number of poles: 2
Diameter: 8.5 mm [.334 in]
Pin diameter: 4 mm [.157 in]
Cable length: 600 mm [23.6 in]

Escan ElectroScanProbe-40

OTC-SP-ES-EP-L600

Item 33514



GO TO PRODUCT

ingun[®]

Partner for Future Technology



INGUN Prüfmittelbau GmbH

Max-Stromeyer-Straße 162
78467, Constance, Germany
Phone +49 7531 8105-0
Customer hotline +49 7531 8105-888
Fax +49 7531 8105-65
info@ingun.com



Prices and delivery times on request.
Technical changes reserved. 04/26_GB