

# Electric push button

## EDT-22,5-02-GN-24V-LED

Item 33468

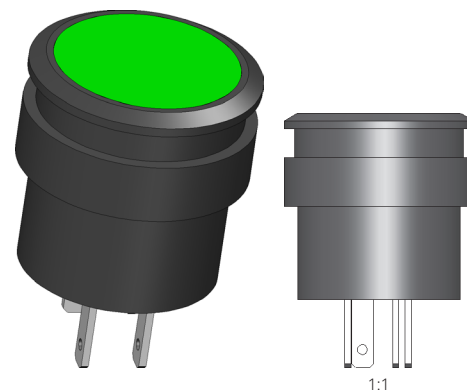


GO TO PRODUCT

**ingun**<sup>®</sup>

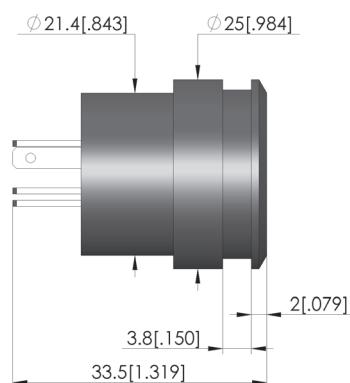
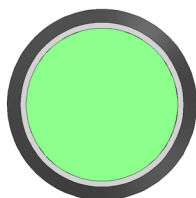
Partner for Future Technology

- Full-face flush illuminated push button
- One-pole, on/off switch (SPST)
- Closer, normally open (NO)
- Panel cut out diameter 22.5 mm
- 2 mm hoch für bündigen Einbau
- Einbautiefe hinter Tafel ca. 31,5 mm



### Application

Der Drucktaster, der eine vollflächige, sehr helle LED-Beleuchtung bietet, wird für zuverlässige Schaltfunktionen im Prüfadapter verwendet.



### General data

|                   |                         |
|-------------------|-------------------------|
| Product group:    | Electric accessory      |
| Series:           | EDT                     |
| Type:             |                         |
| Version:          | Round, lit              |
| Accessory type:   | Customising accessories |
| Material:         | Plastic                 |
| Colour:           | Green                   |
| Weight:           | 0.01 kg [0.022 lbs]     |
| Min. temperature: | -25 °C [-13 °F]         |
| Max. temperature: | 70 °C [158 °F]          |
| RoHS-compliant:   | Yes                     |

### Compatible with

Accessories: FB-ADT-MAxxxx

### Technical data

|                  |                   |
|------------------|-------------------|
| Connection:      | Solder connection |
| Max. current:    | .1 A              |
| Max. voltage:    | 24 VDC            |
| Number of poles: | 1                 |
| Length:          | 33.5 mm [1.31 in] |
| Diameter:        | 25 mm [0.984 in]  |

### Zubehör

| Art.-Nr. | Bezeichnung   | Ausführung      |
|----------|---------------|-----------------|
| 40980    | FB-ADT-MAxxxx | Push button box |

### INGUN Prüfmittelbau GmbH

Max-Stromeyer-Straße 162  
78467, Constance, Germany  
Phone +49 7531 8105-0  
Customer hotline +49 7531 8105-888  
Fax +49 7531 8105-65  
info@ingun.com

