

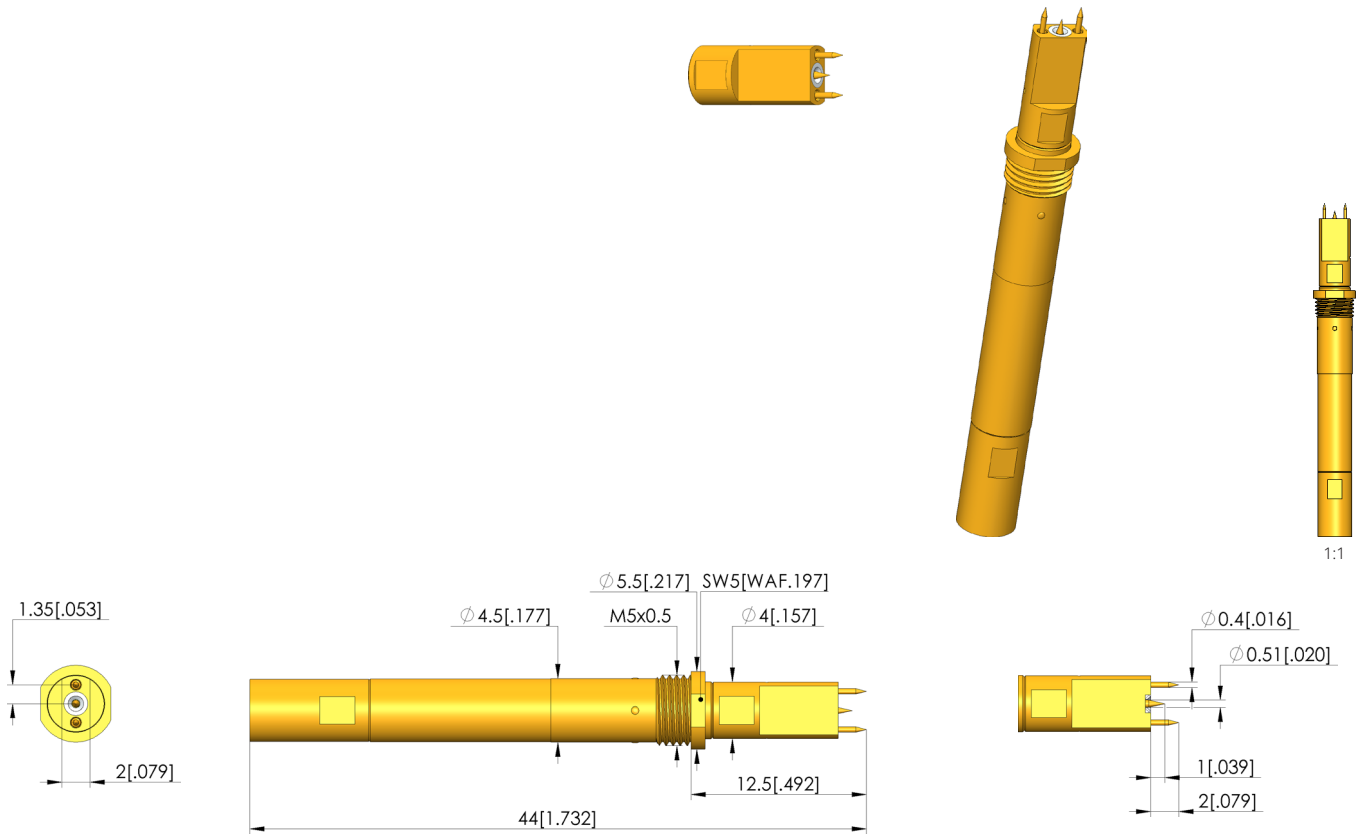
# High-Frequency Probe HFS-810 201 051 A 7629 V2 4M

Item HFS-810-0247



**ingun**<sup>®</sup>

Partner for Future Technology



# High-Frequency Probe

## HFS-810 201 051 A 7629 V2 4M

Item HFS-810-0247



GO TO PRODUCT

**ingun**<sup>®</sup>

Partner for Future Technology

### General data

Screw-in torque max.:	20 cNm [1.77 lbf-in]
Product group:	HFS radio-frequency test probes
Series:	HFS-810
Sub-series:	HFS-810 4M screw-in with adjustable positioning
Grid:	6.5 mm [255 mil]
DUT / contact:	PCB pad GSG
Installation type:	Screw-in
Floating mount:	No
Non-rotating:	Yes
Continuous plunger:	Yes
Interface of compatible assembly:	MCX 50 Ohm
Compatible assembly interface gender :	M signal conductor male / pin
KS sub-series:	KS-810 M, screw-in version
Min. temperature:	-40 °C [-40 °F]
Max. temperature:	80 °C [176 °F]
RoHS-compliant:	Yes

### Outer conductor data

Outer conductor tip style:	29 spade, flat with flat head
Outer conductor tip style diameter:	4 mm [.157 in]
Spring force of entire outer conductor at working stroke:	7.6 N [27.3 ozf]
Outer conductor working stroke:	5 mm [.196 in]
Outer conductor maximum stroke:	6.5 mm [.255 in]
Exchangeable outer conductor:	KO-810-0044
Outer conductor max. current load capacity:	3 A

### Inner conductor data

Inner conductor tip style:	01 30° needle tip, self-cleaning
Inner conductor tip style diameter:	0.51 mm [.02 in]
Inner conductor tip style material:	2 steel
Inner conductor tip style surface:	A gold
Number of inner conductors:	1
Exchangeable inner conductor:	UKS-051201051A
Inner conductor working stroke:	0 mm [0 in]
Spring force of each inner conductor at working stroke:	0 N [0 ozf]
Inner conductor maximum stroke:	0 mm [0 in]
Inner conductor max. current load capacity:	2 A

### Electrical data

Frequency range up to:	2 GHz
Impedance:	50 Ohm

### Mechanical data

Total spring force at working stroke:	7.6 N [27.3 ozf]
Total length:	44 mm [1.73 in]
Barrel diameter:	4.5 mm [.177 in]
Installation height without receptacle:	12.5 mm [.492 in]
Torque in receptacle:	10 – 20 cNm [.885 – 1.77 lbf-in]

### INGUN Prüfmittelbau GmbH

Max-Stromeyer-Straße 162  
78467, Constance, Germany  
Phone +49 7531 8105-0  
Customer hotline +49 7531 8105-888  
Fax +49 7531 8105-65  
info@ingun.com



Prices and delivery times on request.  
Technical changes reserved. 04/26\_GB

Learn more about  
Radio-frequency test probes



ingun.com