

Test Probe

GKS-913 358 230 R 0802 Z

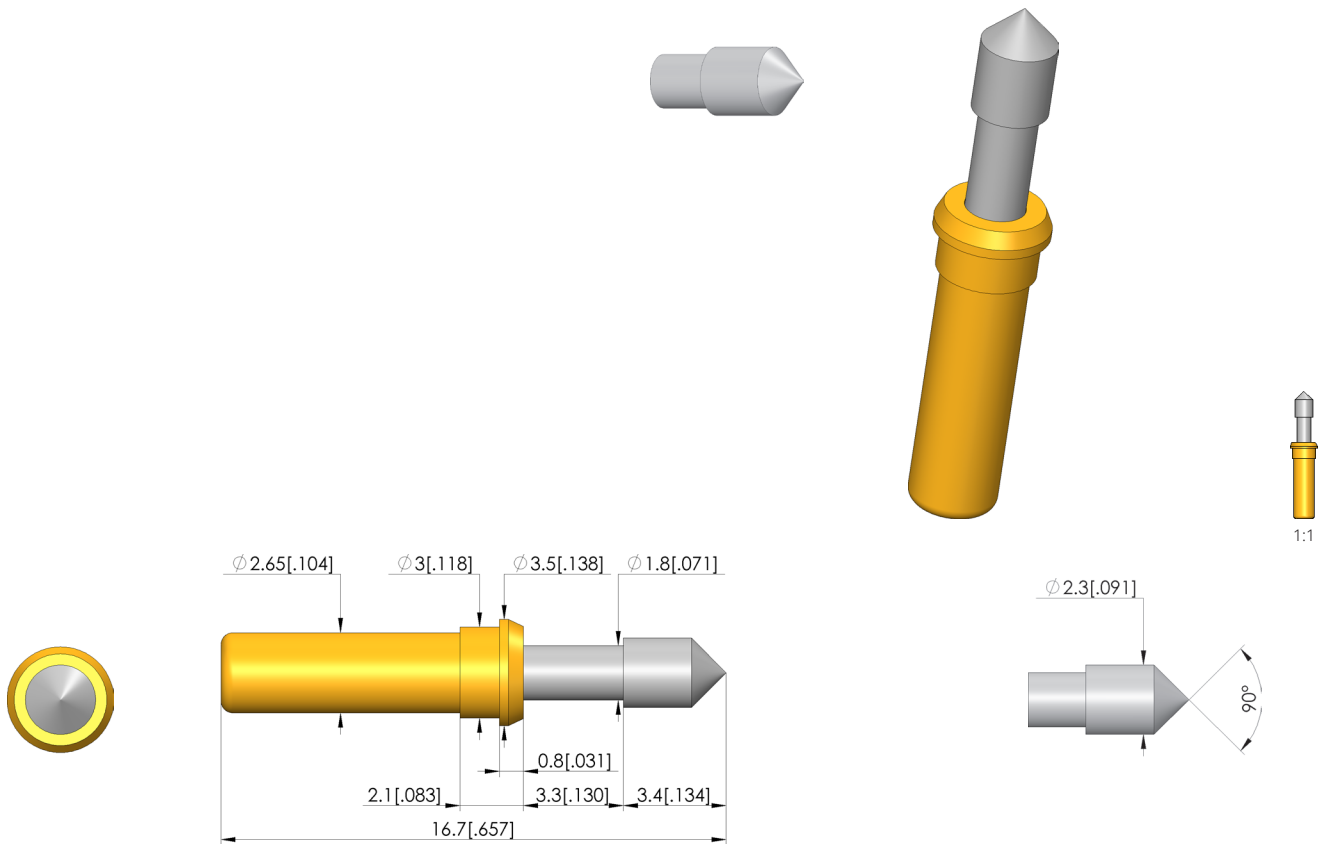
Item GKS-913-0165



GO TO PRODUCT

ingun[®]

Partner for Future Technology



General data

Product group:
Sub-product group:
Series:
Grid:
Contacting from:
Magnetic:
Installation type:
Quick-exchange system:
Adjustable installation height:
Non-rotating:
Compatible receptacle(s):
Min. temperature:
Max. temperature:
RoHS-compliant:

ICT / FCT (in-circuit test and function test)
Metric standard
GKS-913 Z
4 mm [157 mil]
Via
Yes
Plug-in
Yes
No
No
KS-913
-40 °C [-40 °F]
80 °C [176 °F]
Yes

Tip style data

Tip style:
Tip diameter:
Tip style surface:
Tip style material:

58 90° conical, self-cleaning, special length
2.3 mm [.09 in]
R rhodium
3 CuBe

Electrical data

Current load capacity / rated current:
Typical resistance (Ri):

5 A
20 mOhm

Mechanical data

Total length:
Barrel diameter:
Maximum stroke:
Spring pre-load:
Collar height:
Spring force at working stroke:
Recommended working stroke:

16.7 mm [.657 in]
2.65 mm [.104 in]
3.3 mm [.129 in]
0.24 N [.863 ozf]
02
0.8 N [2.87 ozf]
2.8 mm [.11 in]

Test Probe

GKS-913 358 230 R 0802 Z

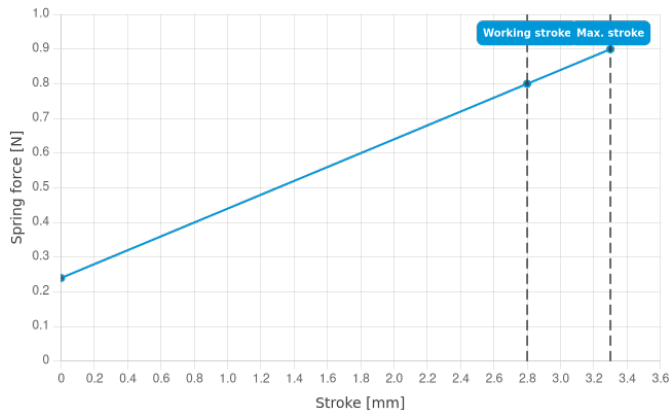
Item GKS-913-0165



GO TO PRODUCT

ingun®

Partner for Future Technology



INGUN Prüfmittelbau GmbH

Max-Stromeyer-Straße 162
78467, Constance, Germany
Phone +49 7531 8105-0
Customer hotline +49 7531 8105-888
Fax +49 7531 8105-65
info@ingun.com



Prices and delivery times on request.
Technical changes reserved. 05/26_GB

Learn more about
ICT/FCT Test probes



ingun.com