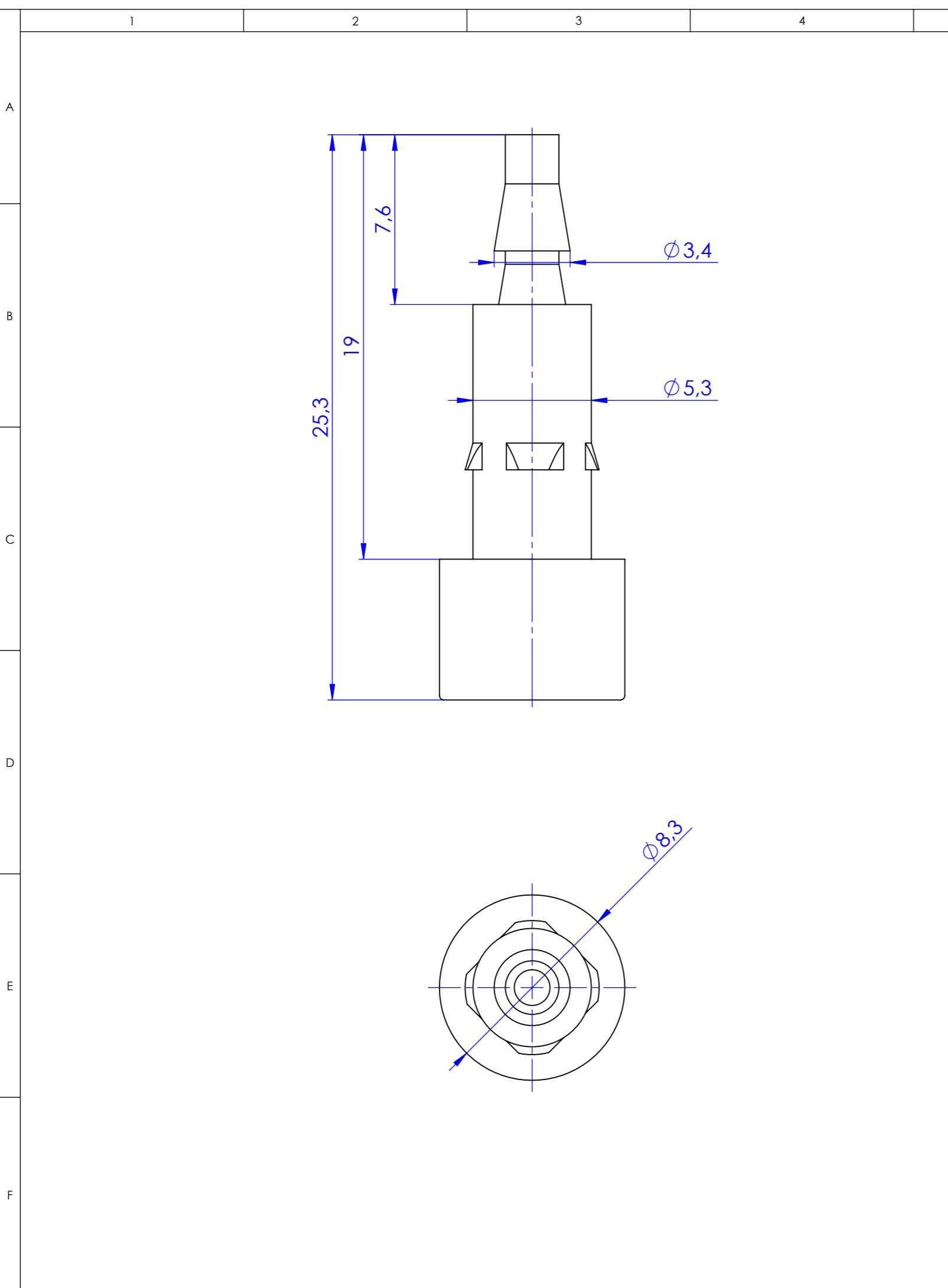
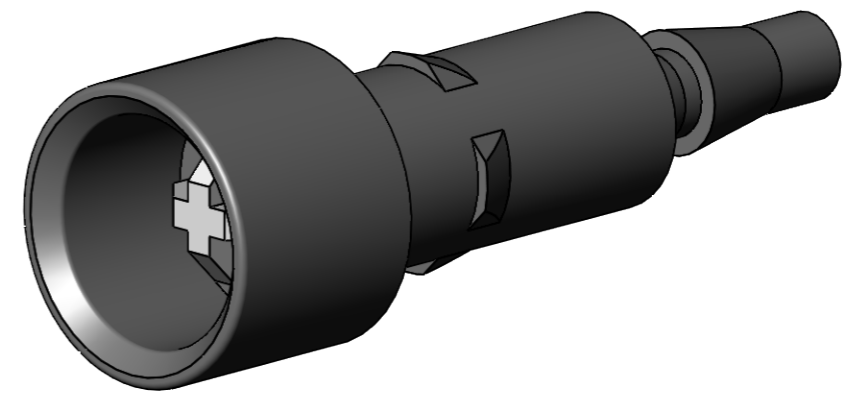


This technical documentation is intellectual property of INGUN Prüfmittelbau GmbH. Unless otherwise contractually agreed in writing, it is not permitted to duplicate or disseminate it, nor may it be made accessible to third parties in any other way, or otherwise be misused without our explicit prior consent.



Kontakt für Schlauchinnendurchmesser 3,0 mm
tube fitting insert for tubing size ID 3,0 mm



RoHS-3

Maßstab/Scale: 5:1	Benennung/Designation: PKT-F-PK3-A Pneum. Kontaktteil <i>Pneumatic contact terminal</i>	Index: 0	Blatt/Sheet 1 von 1 DIN A3
gespeichert/saved: 23.04.2021 17:16:20			
Montageanleitung/instruction sheet	Artikel-Nr./PartNo.: 37819		