

Battery contacting probe

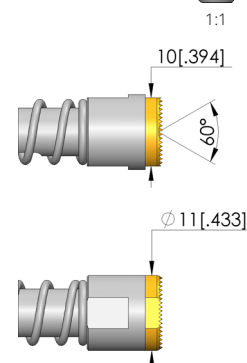
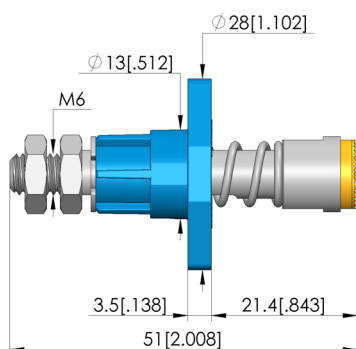
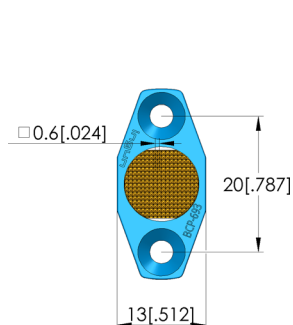
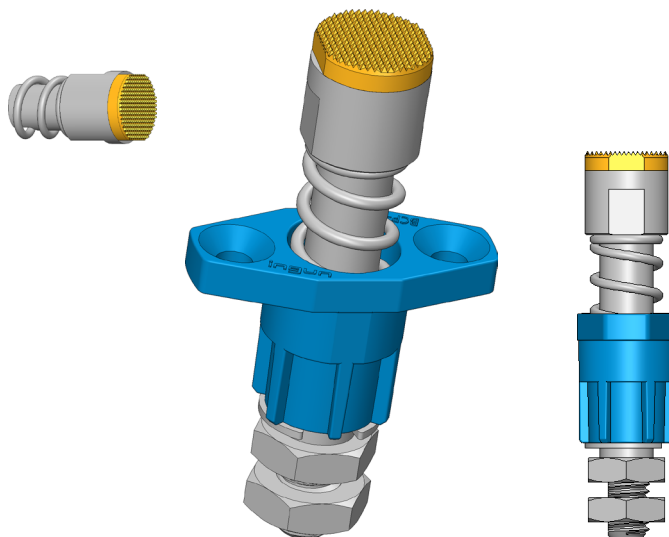
BCP-693 360 1100 A 35004-00

Item BCP-693-0003

GO TO PRODUCT

ingun[®]

Partner for Future Technology



General data

Product group:	Battery Contacting
Series:	BCP-693
Application rec.:	
Grid:	14 mm [551 mil]
DUT / contact:	
Magnetic:	Yes
Installation type:	Flange
Quick-exchange system:	No
Type of test probe connection:	Thread connection
Adjustable installation height:	No
Non-rotating:	Yes
Continuous plunger:	M 6 x 10,6
Min. temperature:	-40 °C [-40 °F]
Max. temperature:	80 °C [176 °F]
RoHS-compliant:	Yes

Electrical data

Current load capacity / rated current:	220 A
Rated current on copper @ $\Delta T \leq 20$ K:	130 A
Rated current on copper @ $\Delta T \leq 60$ K:	220 A
Rated current on aluminium @ $\Delta T \leq 20$ K:	65 A
Rated current on aluminium @ $\Delta T \leq 60$ K:	110 A
Typical resistance (Ri):	

Mechanical data

Total length:	51 mm [2 in]
Barrel diameter:	13 mm [.511 in]
Maximum stroke:	7 mm [.275 in]
Spring pre-load:	15.75 N [56.6 ozf]
Spring force at working stroke:	04
Recommended working stroke:	35 N [125 ozf]
	4.4 mm [.173 in]

Tip style data

Tip style:	60 serrated, small grid
Tip diameter:	11 mm [.433 in]
Tip style surface:	A gold
Tip style material:	3 CuBe

Battery contacting probe

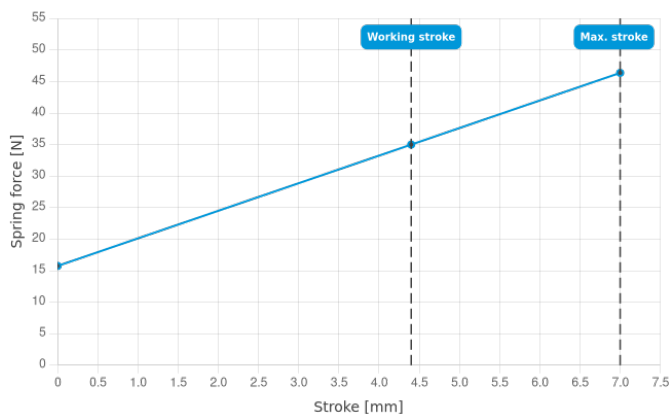
BCP-693 360 1100 A 35004-00

Item BCP-693-0003

[GO TO PRODUCT](#)

ingun[®]

Partner for Future Technology



Cable plug assemblies

Part no. EN	Designation	Tip version EN
SE-AWG08-0003	SE-AWG08-6-AN0005-100-AN0006-2	cable assembly

INGUN Prüfmittelbau GmbH

Max-Stromeyer-Straße 162
78467, Constance, Germany
Phone +49 7531 8105-0
Customer hotline +49 7531 8105-888
Fax +49 7531 8105-65
info@ingun.com



Prices and delivery times on request.
Technical changes reserved. 06/26_GB

Learn more about
Test probes

