

Plug for HFS-821

SE-821 MX48

Item SE-821MX48

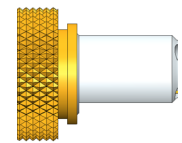
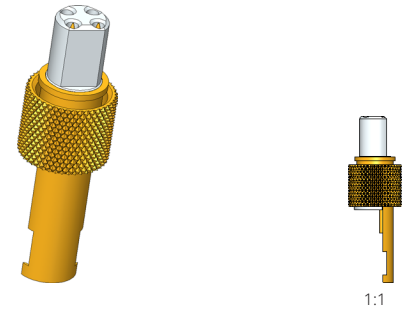
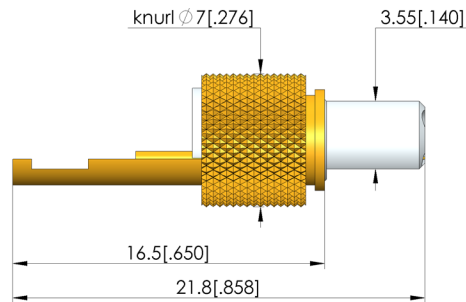
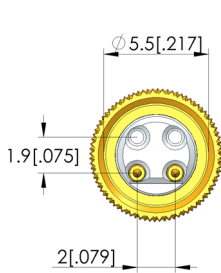


GO TO PRODUCT

ingun[®]

Partner for Future Technology

- Plug or cable assemblies for RF test probes (HFS)



General data

Product group:
Series:
Sub-series:
Min. temperature:
Max. temperature:
RoHS-compliant:

Plug (SE)
SE-821
SE-821 MX48 plug
-40 °C [-40 °F]
80 °C [176 °F]
Yes

Electrical data

Impedance:

100 Ohm

Connector data

Interface 1: SE-821 MX48 plug, 2-pole, screw-in, for HFS-821/MX48
Interface gender 1: M signal conductor male / plug
Version 1: Straight

INGUN Prüfmittelbau GmbH

Max-Stromeyer-Straße 162
78467, Constance, Germany
Phone +49 7531 8105-0
Customer hotline +49 7531 8105-888
Fax +49 7531 8105-65
info@ingun.com



Prices and delivery times on request.
Technical changes reserved. 04/26_GB

Learn more about
Test probes



PLUG AND CABLE

ingun.com