

# HSS-100

## PRODUCT INFORMATION High Current Test Probes

**Grid:**  
 ≥ 2.54 mm  
 ≥ 100 Mil  
**Installation height with KS:** 16.0 mm

INGUN Prüfmittelbau GmbH  
 Max-Stromeyer-Straße 162  
 78467 Constance | Germany  
 Tel. +49 7531 8105-0  
 www.ingun.com

## High current, low Ohm probe up to 16 A in 100 Mil grid

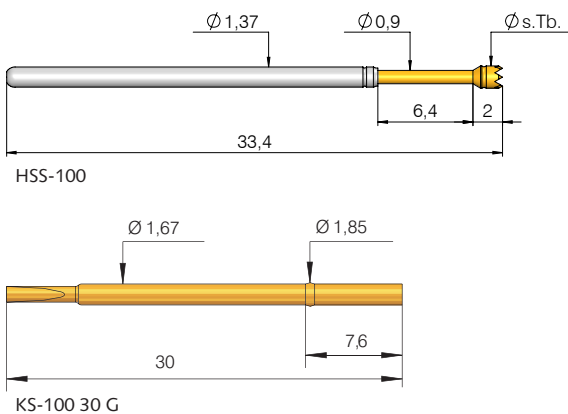
### Features

- International standard high current probe (HSS) for grid size 100 Mil
- Compatible with the GKS-100 series
- Current load capacity up to 16 A
- Low internal resistance ≤ 10 mΩ for precise measurements

### Function / Assembly

- The probes can be mounted in and connected with the KS-100 30 G receptacle with solder cup. Other receptacles in the GKS-100 series can also be used

### Mounting and functional dimensions



### Available tip styles

Material	Tip style	Plating	Further versions	
			∅	∅ (inch)
3 05		S	∅ 1,50	
3 06		A	∅ 1,50	
3 17		A	∅ 1,50	
3 19		A	∅ 1,50	

### Mechanical data

**Working stroke:** 4.3 mm  
**Maximum stroke:** 6.4 mm  
**Spring force at working stroke:** 3.0 N  
**Alternative:** 2.0 N

### Materials

**Plunger:** BeCu, gold-plated  
**Barrel:** Bronze, silver-plated  
**Spring:** Stainless steel, gold-plated  
**Receptacle:** Nickel-silver, gold-plated

### Mounting and Tools

**Tool:** SW-GKS

### Electrical data

**Current rating:** 16 A  
**R<sub>i</sub> typical:** ≤ 10 mΩ

### Mounting hole size

With collar or press-ring as a collar-stop  
**in CEM1 and FR4:** ∅ 1.67 - 1.69 mm

### Operating temperature

**Standard:** -80° up to +200° C

When pressing the press-ring into the mounting hole

**in CEM1:** ∅ 1.71 - 1.73 mm  
**in FR4:** ∅ 1.70 - 1.72 mm

### Ordering example

Series	Tip material 2 = Steel 3 = BeCu	Tip style	Tip diameter (1/100 mm)	Plating A = Gold	Spring force (dN)	Collar height (mm)
Test probe:	HSS	100	306	150	A	3000
Receptacle with press-ring (example):	KS-10030G					