

# HSS-004

## PRODUCT INFORMATION High Current Test Probes

Grid:  
 ≥ 4.75 mm  
 ≥ 187 Mil  
 Installation height with KS: 16.5 mm

INGUN Prüfmittelbau GmbH  
 Max-Stromeyer-Straße 162  
 78467 Constance | Germany  
 Tel. +49 7531 8105-0  
 www.ingun.com

### High current probe up to 32 A (international standard)

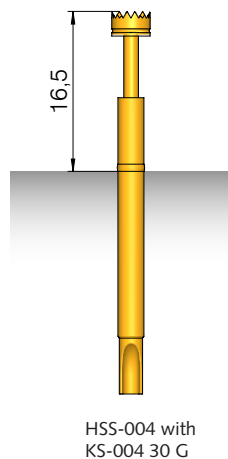
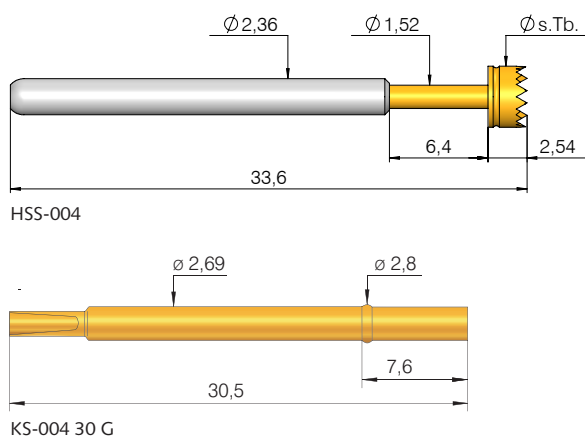
#### Features

- International standard high current probe (HSS) for grid size 187 Mil
- Current load capacity up to 32 A
- Compatible with the GKS-004 series
- Low internal resistance ≤ 10 mΩ for precise measurements

#### Function / Assembly

- The probes are mounted in and connected with the KS-004 30 G receptacle with solder cup

#### Mounting and functional dimensions



#### Available tip styles

Material	Tip style	Plating	Further versions	
			∅	∅ (inch)
3 05		S	∅ 3.96	
3 06		A	∅ 3.96	
3 17		A	∅ 3.96	
3 19		A	∅ 3.96	

#### Mechanical data

Working stroke: 4.4 mm  
 Maximum stroke: 6.4 mm  
 Spring force at working stroke: 3.0 N  
 Alternative: 2.0 N

#### Materials

Plunger: BeCu, gold-plated  
 Barrel: Bronze, silver-plated  
 Spring: Stainless steel, gold-plated  
 Receptacle: Nickel-silver, gold-plated

#### Mounting and Tools

Tool: SW-GKS

#### Electrical data

Current rating: 32 A  
 Ri typical: ≤ 10 mΩ

#### Mounting hole size

With collar or press-ring as a collar-stop  
 in CEM1 and FR4: ∅ 2.67 - 2.68 mm  
 When pressing the press-ring into the mounting hole  
 in CEM1 und FR4: ∅ 2.72 - 2.77 mm

#### Operating temperature

Standard: -80° up to +200° C

#### Ordering example

Series	Tip material 2 = Steel 3 = BeCu	Tip style	Tip diameter (1/100 mm)	Plating A = Gold	Spring force (dN)	Collar height (mm)
Test probe:	HSS	004	306	396	A	3000
Receptacle with press-ring:	KS-00430G					